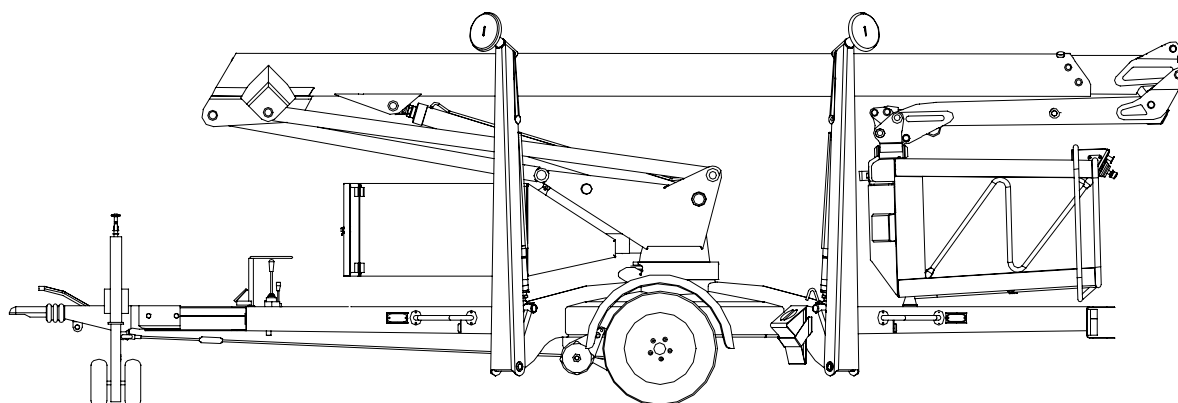


**RESERVEDELS-  
KATALOG**

**SPARE PARTS  
CATALOGUE**

**ERSATZTEILS-  
KATALOG**

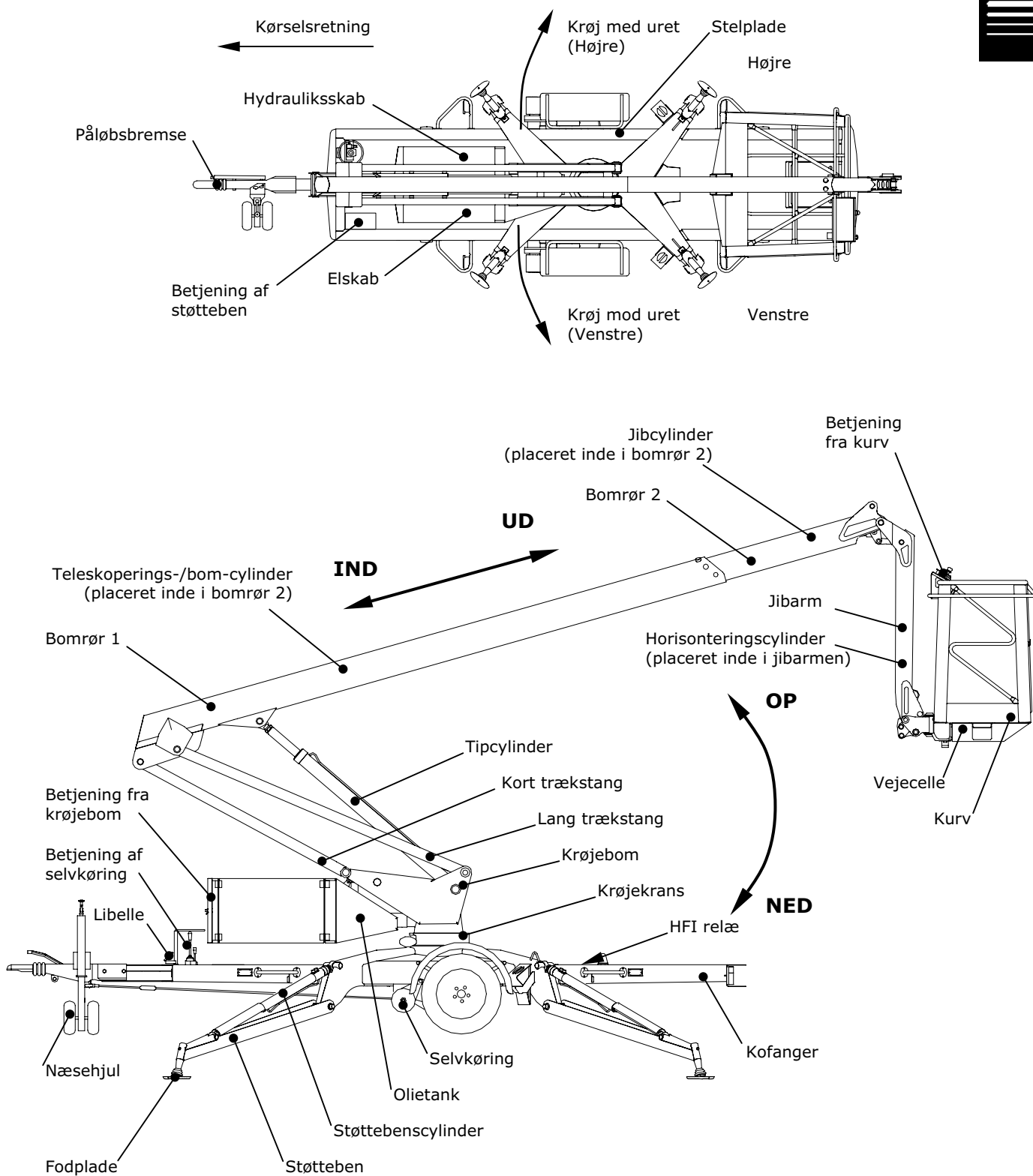


**DLX15**

**Date: 061205 - Version B**

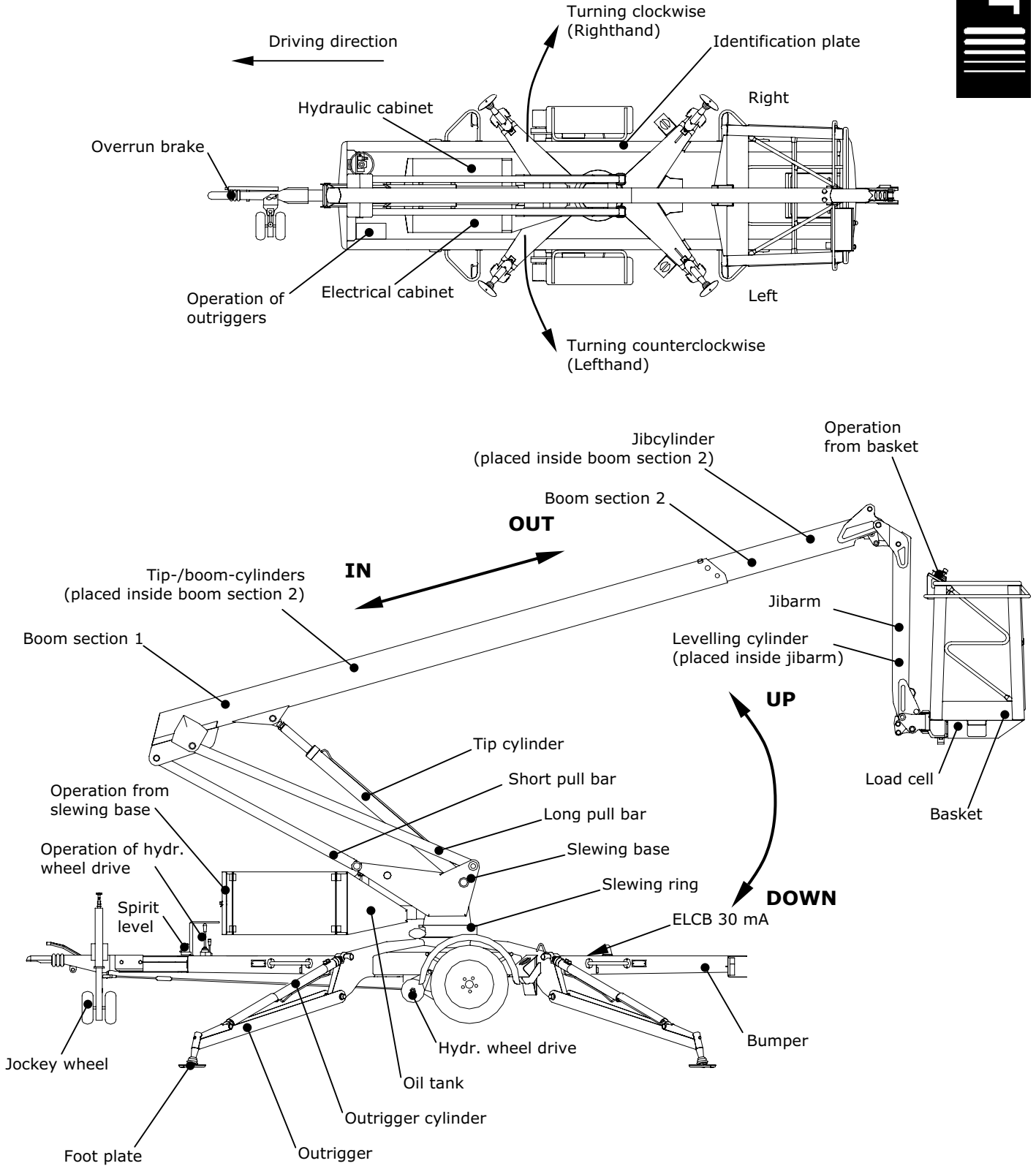
## Liftbeskrivelse – DLX15

På denne side forklares en del funktioner og begreber, der anvendes i den reservedelskataloget. Hvis der ønskes yderligere oplysninger, kontakt os da venligst.



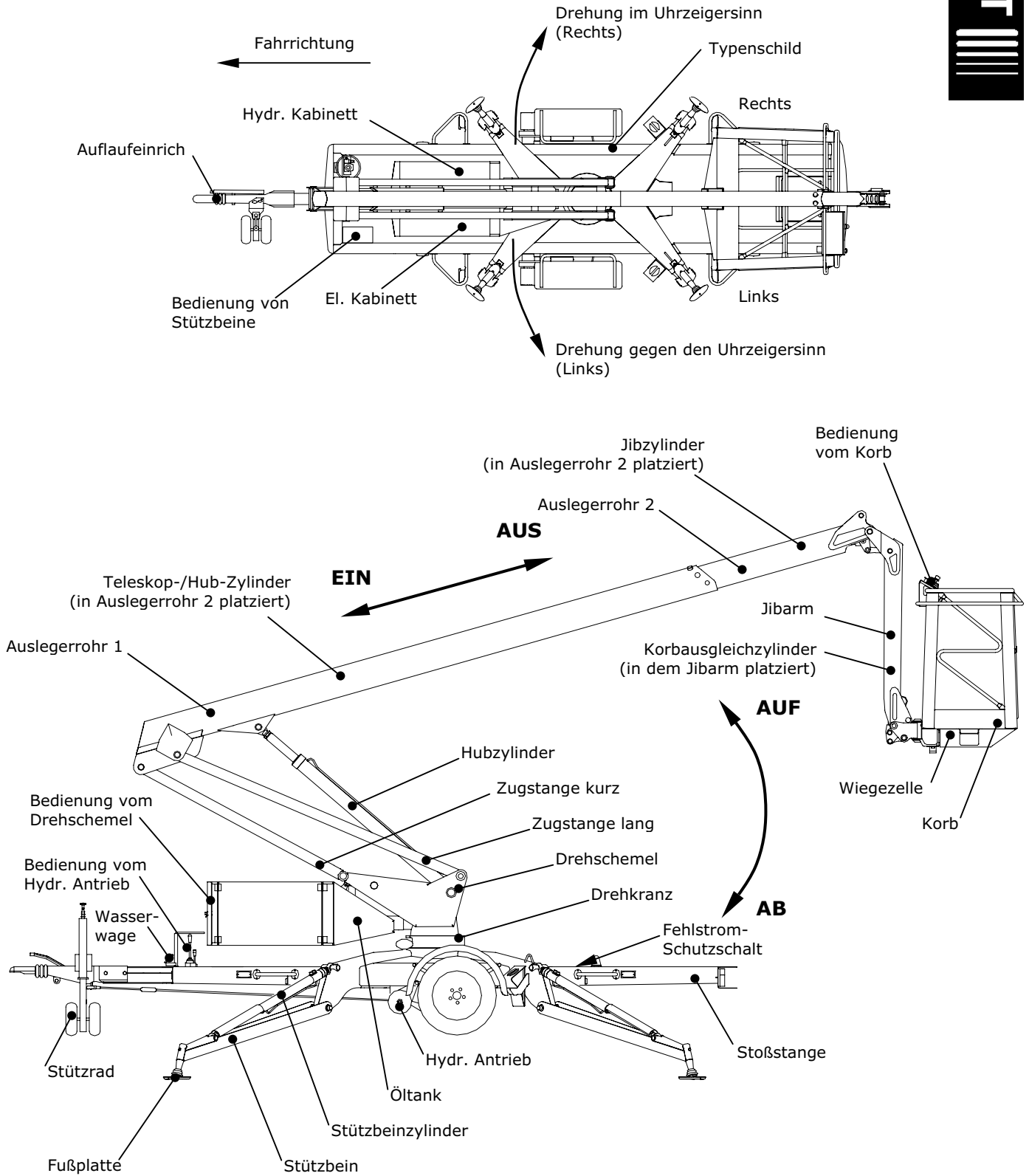
**Description of the lift – DLX15**

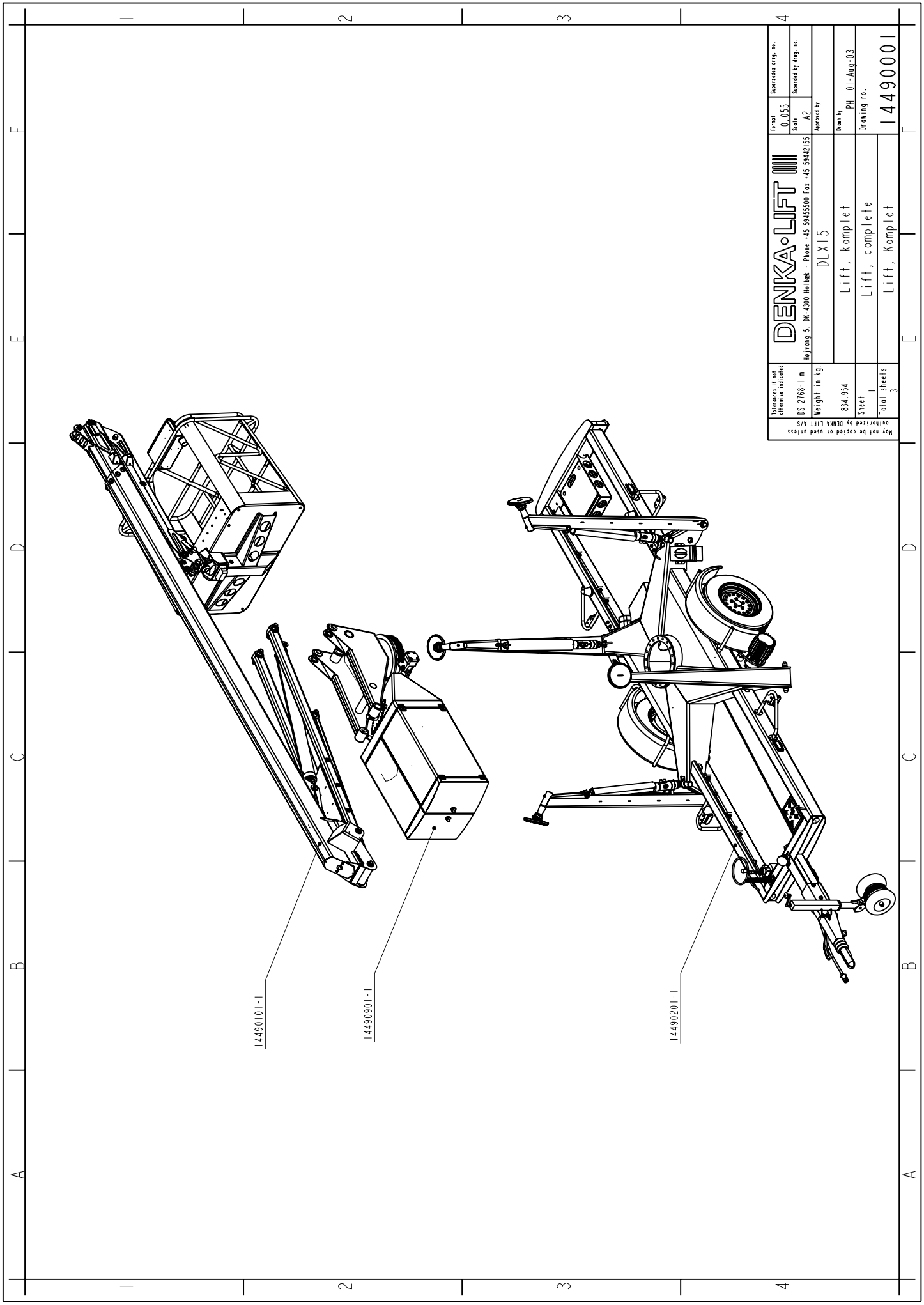
At this page some functions and constructions mentioned in the spare part catalogue are explained. If you need further information, please contact us.



## Beschreibung des Liftes – DLX15

An dieser Stelle werden einige der Funktionen und Begriffe erklärt, die in den Ersatzteilkatalog benutzt werden. Falls Sie weitere Technische Daten brauchen, bitten wir Ihnen uns zu Kontakten.





14490101-1

14490901-1

14490201-1

<b>DENKA-LIFT</b> <small>Hojeňová 5, DK-4200 Habek, - Phone +45 59455500 Fax +45 59442155</small>		Formel 0.055 Scale	Supersedes drawing no. A2
DLX15		Approved by PH 01-Aug-03	
Lift, komplet		Drawing no.	
Lift, komplet		14490001	
Lift, Komplet		Total sheets 3	

Dimensions if not otherwise indicated  
 DS 2168-1 m  
 Weight in kg:  
 1834,954  
 Sheet  
 Total sheets  
 3

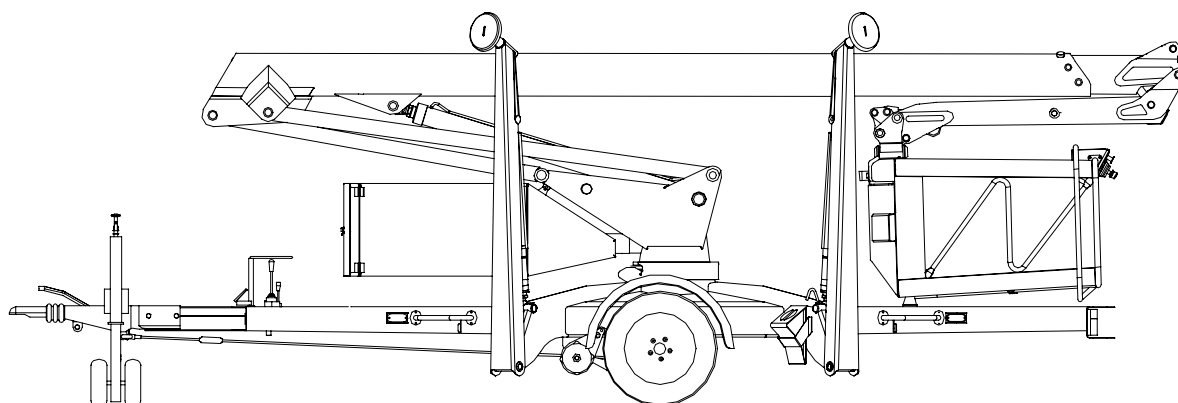
May not be copied or used unless authorized by DENKA LIFT A/S



**RESERVEDELS-  
KATALOG**

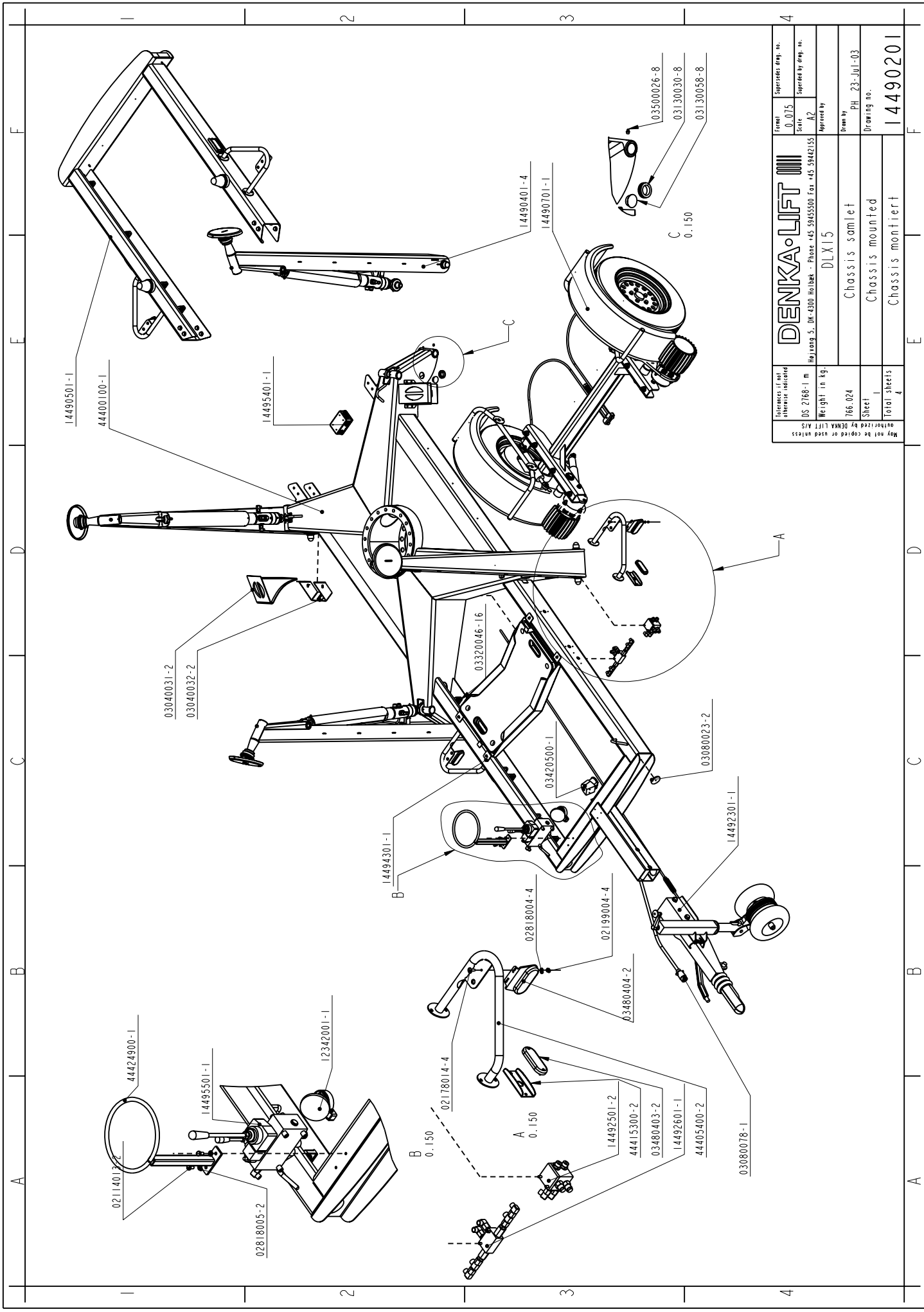
**SPARE PARTS  
CATALOGUE**

**ERSATZTEILS-  
KATALOG**



**CHASSIS**

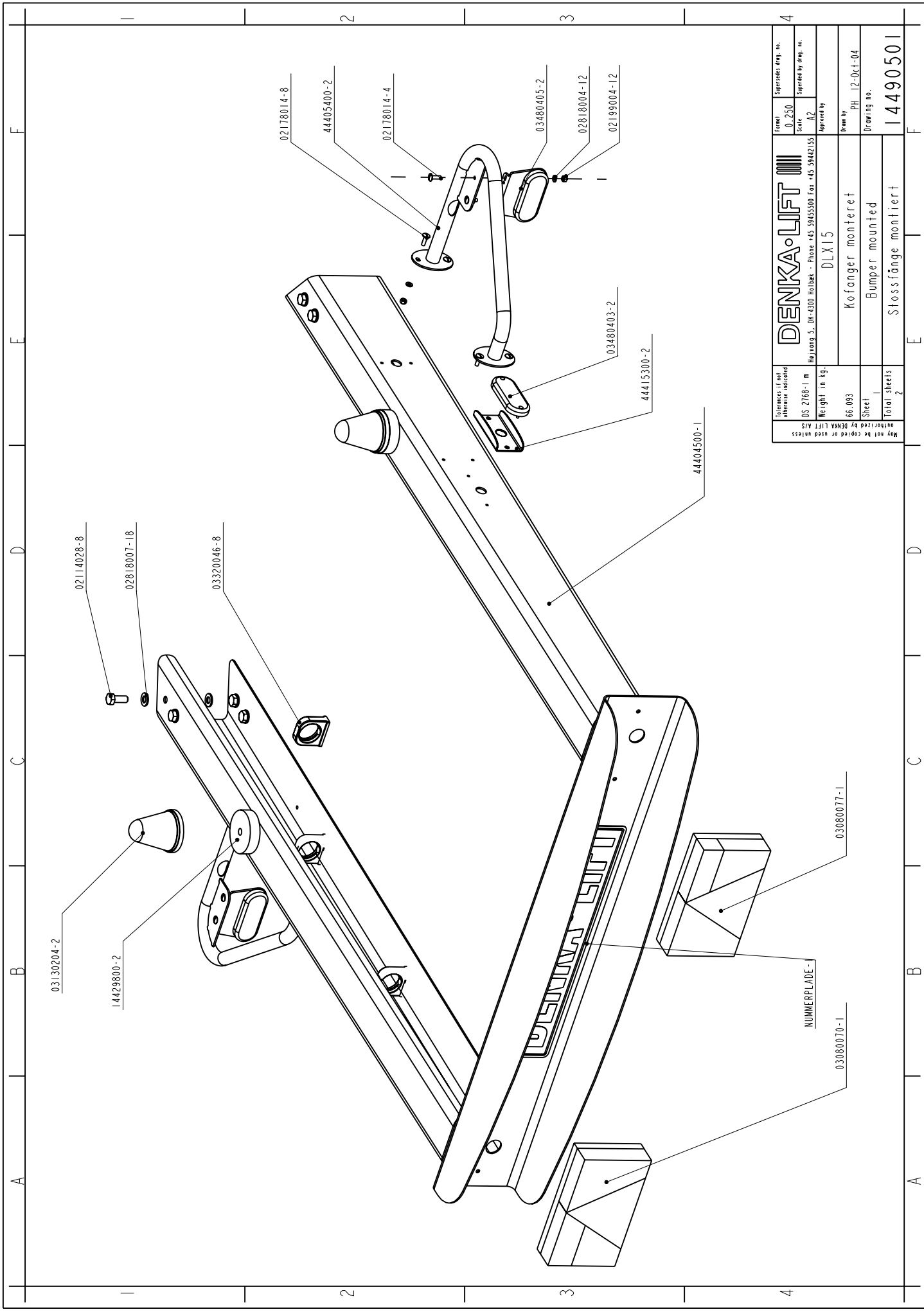
Version – 12.2004



- 14490501-1
- 44400100-1
- 14495401-1
- 03040031-2
- 03040032-2
- 03320046-16
- 03420500-1
- 03080023-2
- 14494301-1
- 02818004-4
- 02199004-4
- 03480404-2
- 14492301-1
- 02114013-2
- 44424900-1
- 14495501-1
- 12342001-1
- 02818005-2
- 02178014-4
- 0218004-4
- 02199004-4
- 03480404-2
- 14492501-2
- 44415300-2
- 03480403-2
- 14492601-1
- 44405400-2
- 03080078-1
- 14490401-4
- 14490701-1
- 03500026-8
- 03130030-8
- 03130058-8

<b>DENKA-LIFT</b> <small>Wojciech 5, DK-4200 Halbark - Phone +45 59455500 Fax +45 59442155</small>		Serial 0.075 Scale A2	Supersedes drawing no. Supersedes by drawing no.
Drawn by PH 23-Jul-03		Approved by DLX15	
Weight in kg 766.024		Chassis samlet Chassis mounted	
Total sheets 4		Drawing no. 14490201	
<small>May not be copied or used unless authorized by DENKA LIFT A/S</small>			





Dimensions (if not otherwise indicated)	Formel	Supersedes drawing no.
DS 2168-1 m	0.250	0.250
Weight in kg:	Scale	Supersedes by drawing no.
DLX15	A2	DLX15
66.093	Approved by	
Sheet 1	Drawn by	PH 12-01-04
Total sheets 2	Drawing no.	
authorized by DENKA LIFT A/S		
May not be copied or used unless		

**DENKA-LIFT**

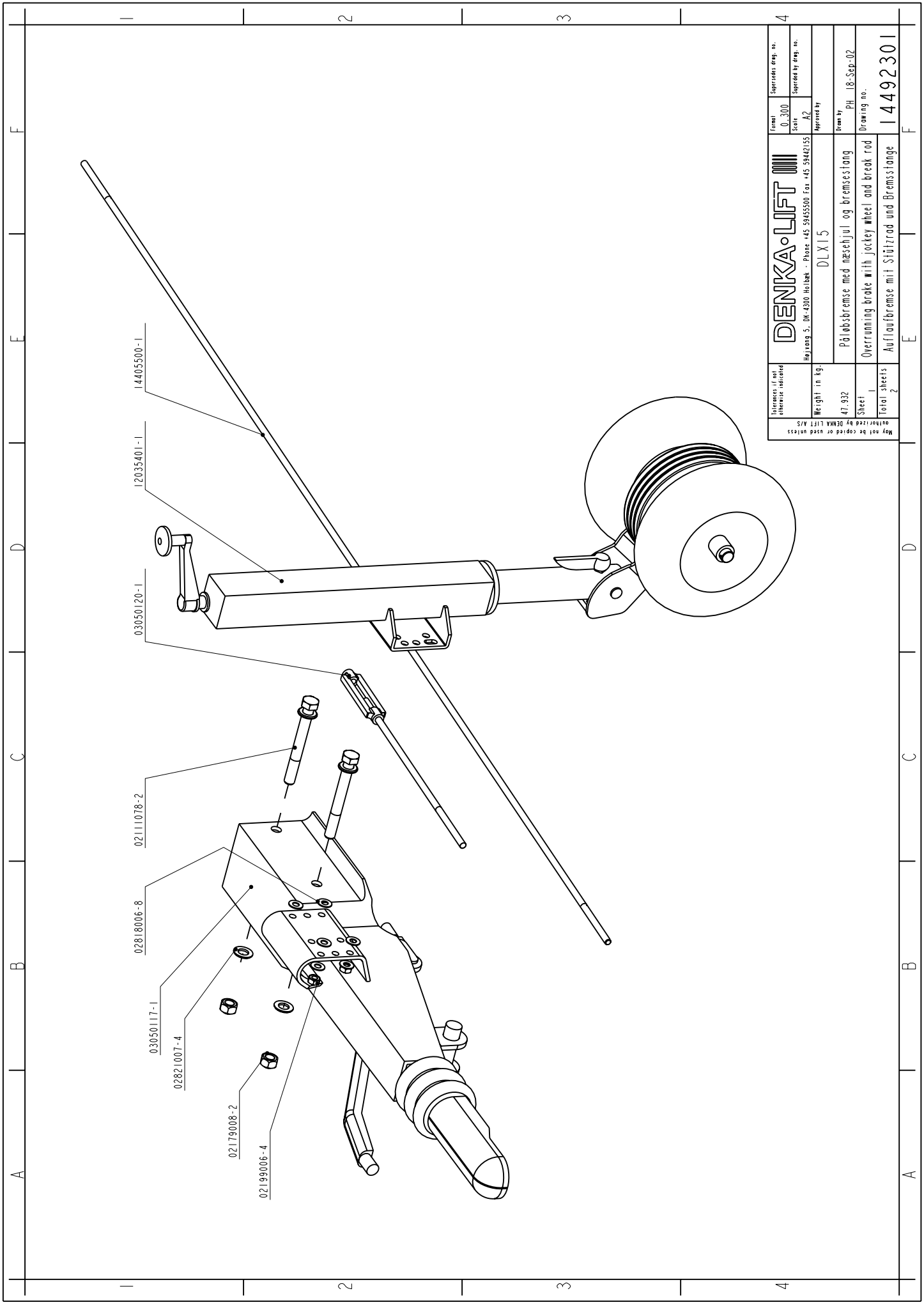
DLX15

Kofanger monteret

Bumper mounted

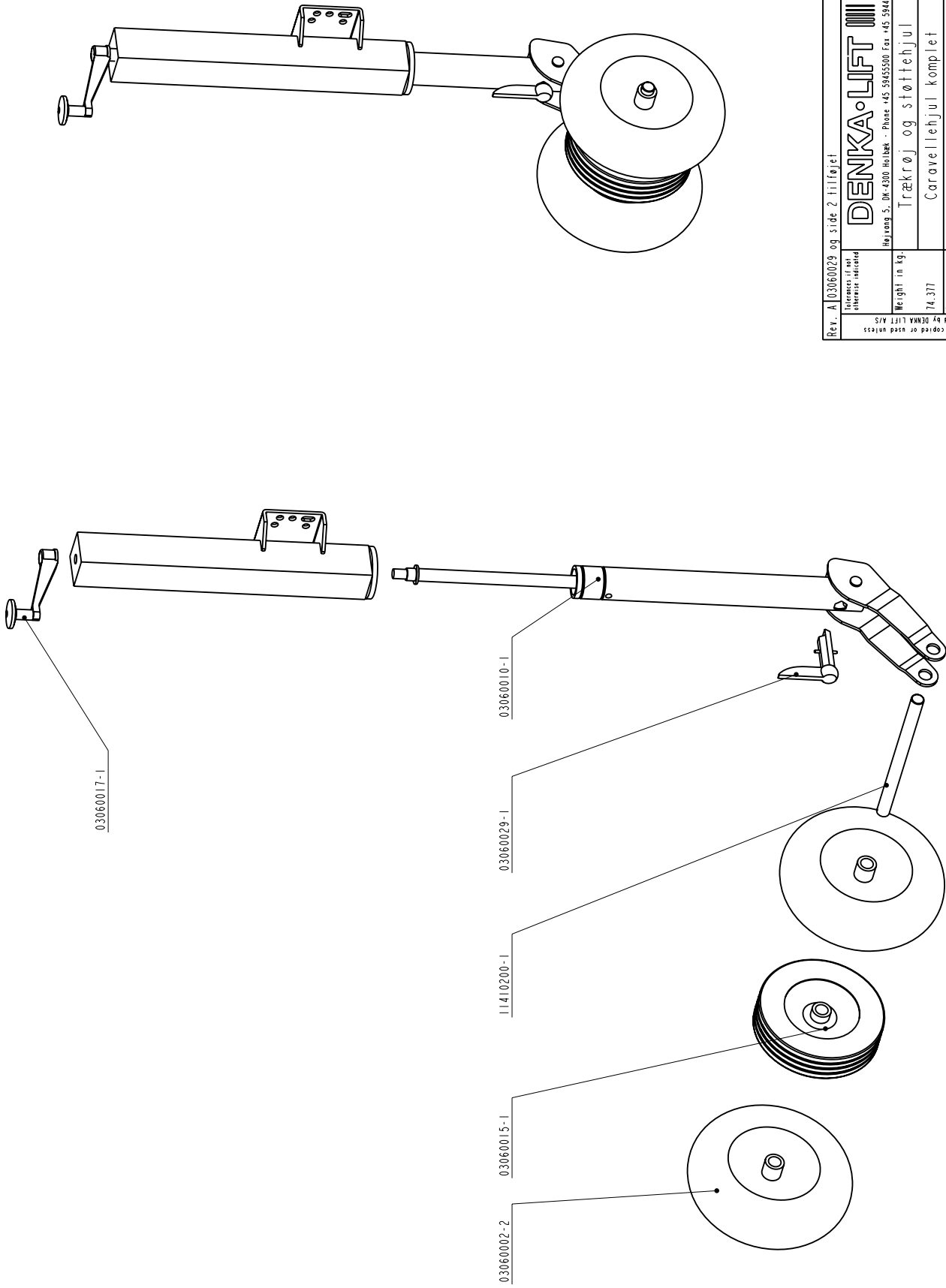
Stossfänge montiert

14490501



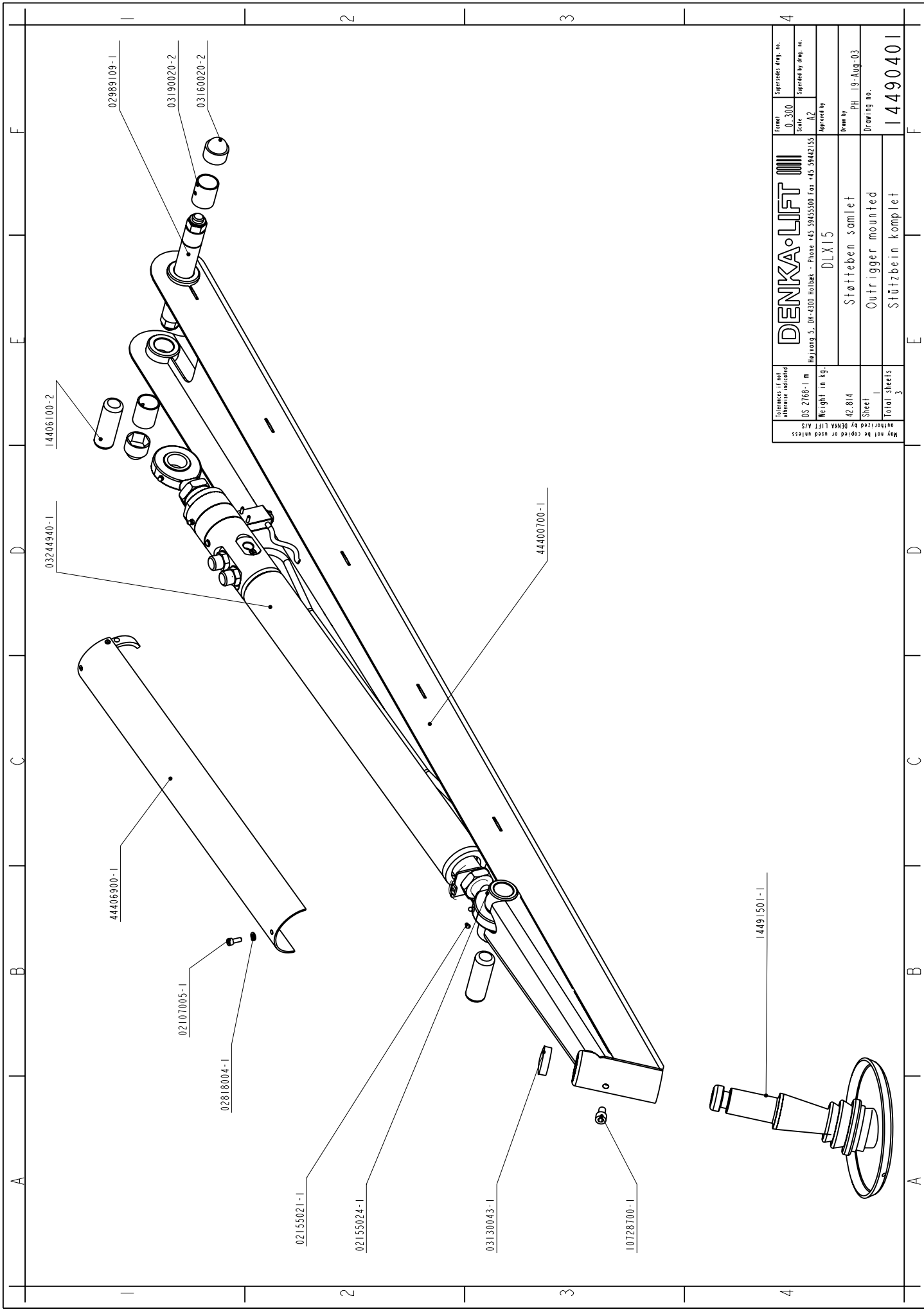
Dimensions (if not otherwise indicated)	Weight in kg: 47.932	Sheet 1	Total sheets 2
<p style="text-align: center;"><b>DENKA-LIFT</b></p> <p style="text-align: center;">Køjløvej 5, DK-4300 Holbæk - Phone +45 59455500 Fax +45 59442155</p> <p style="text-align: center;">DLX15</p>			
Formel 0-300	Scale A2	Approved by	
Supersedes drawing no.	Supersedes by drawing no.	Drawn by PH 18-Sep-02	
Påløbsbremse med nøsehjul og bremsestang		Overrunning brake with jockey wheel and break rod	
Auflaufbremse mit Stützrad und Bremsstange		Drawing no. 14492301	

May not be copied or used unless authorized by DENKA LIFT A/S



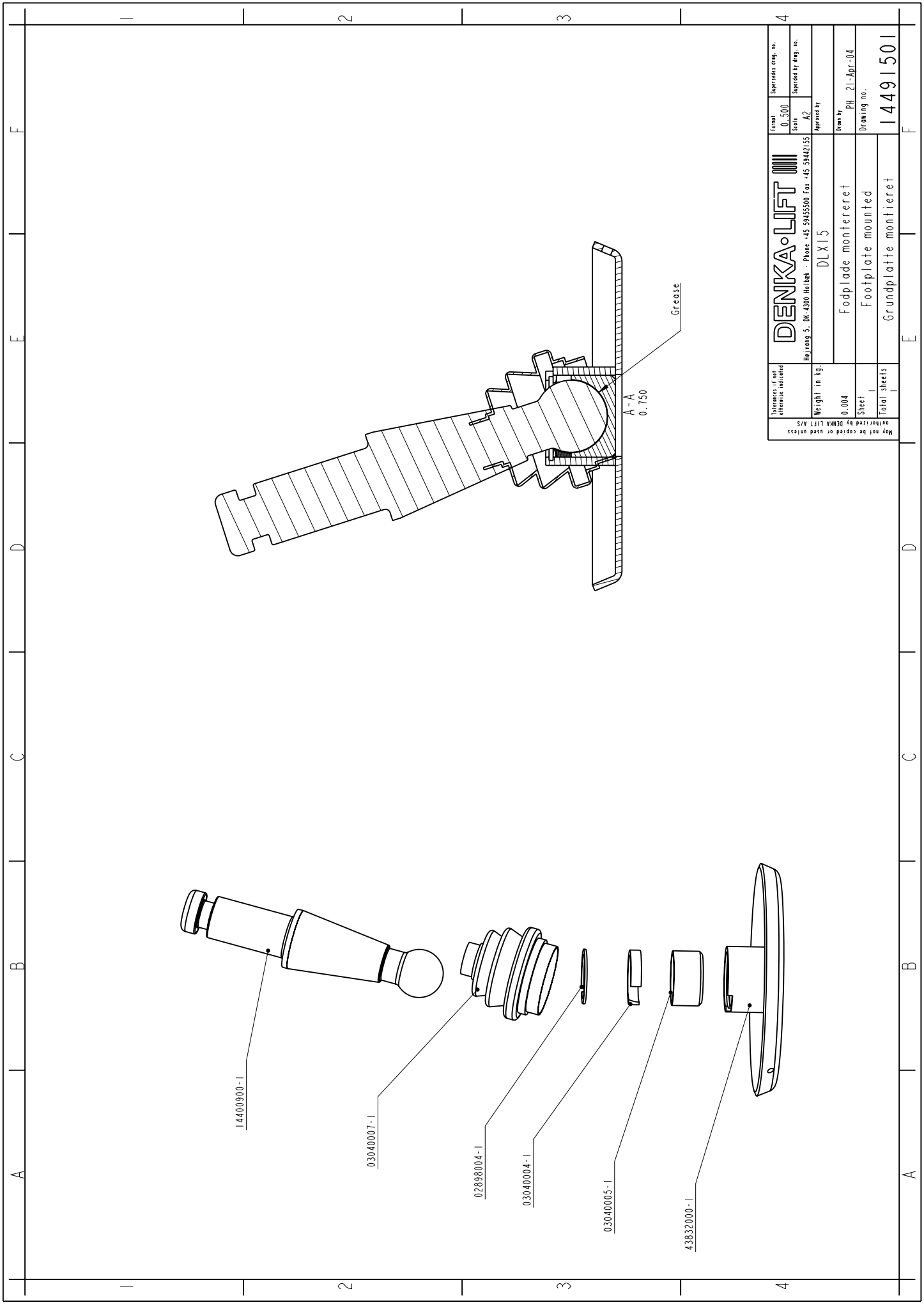
Rev. A 03060029 og side 2 tilføjet	22. Jan-01	SH
Entered by	0.250	Supersedes drawing no.
Scale	A2	Superseded by drawing no.
<p><b>DENKA-LIFT</b></p> <p>Træktrøj og støttehjul          Caravellehjul komplet          Caravelle wheel complete</p>		
Højvang 5, DK-4200 Hvidebø - Phone: +45 59455500 Fax: +45 59442155 Approved by MFM 03-Jan-01 Drawing no.		
Weight in kg	74.377	
Sheet	1	
Total sheets	2	12035401
Caravelle rod		

May not be copied or used unless authorized by DENKA LIFT A/S



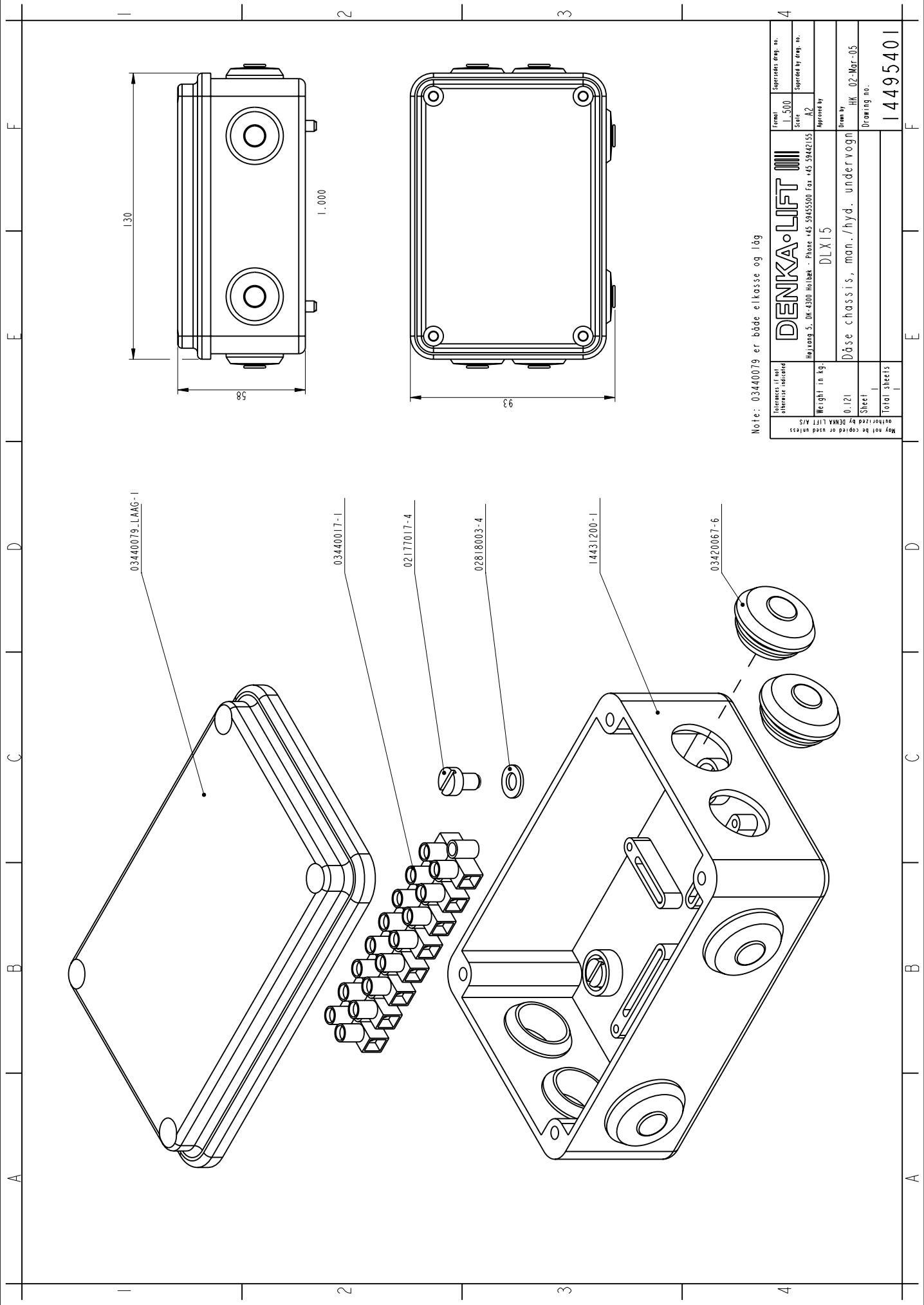
Dimensions (if not otherwise indicated)	DS 2169-1 m	Model no.	DLX15
Weight in kg:	42.814	Phone	+45 59455500
Sheet	1	Fax	+45 59442155
Total sheets	3	Approved by	PH 19-Aug-03
May not be copied or used unless authorized by DENKA LIFT A/S		Drawn by	PH 19-Aug-03
		Drawing no.	14490401

**DENKA-LIFT**  
 DLX15  
 Støtteben samlet  
 Outrigger mounted  
 Stützbein komplet



Tolerances if not otherwise indicated	Formel	Supersedes drawing no.
	Scale	Supersedes by drawing no.
Weight in kg.	Approved by	
	Drawn by	
Total sheets	Drawing no.	
	Sheet	
<b>DENKA-LIFT</b> Højvang 5, DK-4300 Hvidebæk - Phone +45 59455500 Fax +45 59442155		
Model: DLX15		
Footplate monteret Footplate mounted Grundplade monteret		
Drawing no. 14491501		

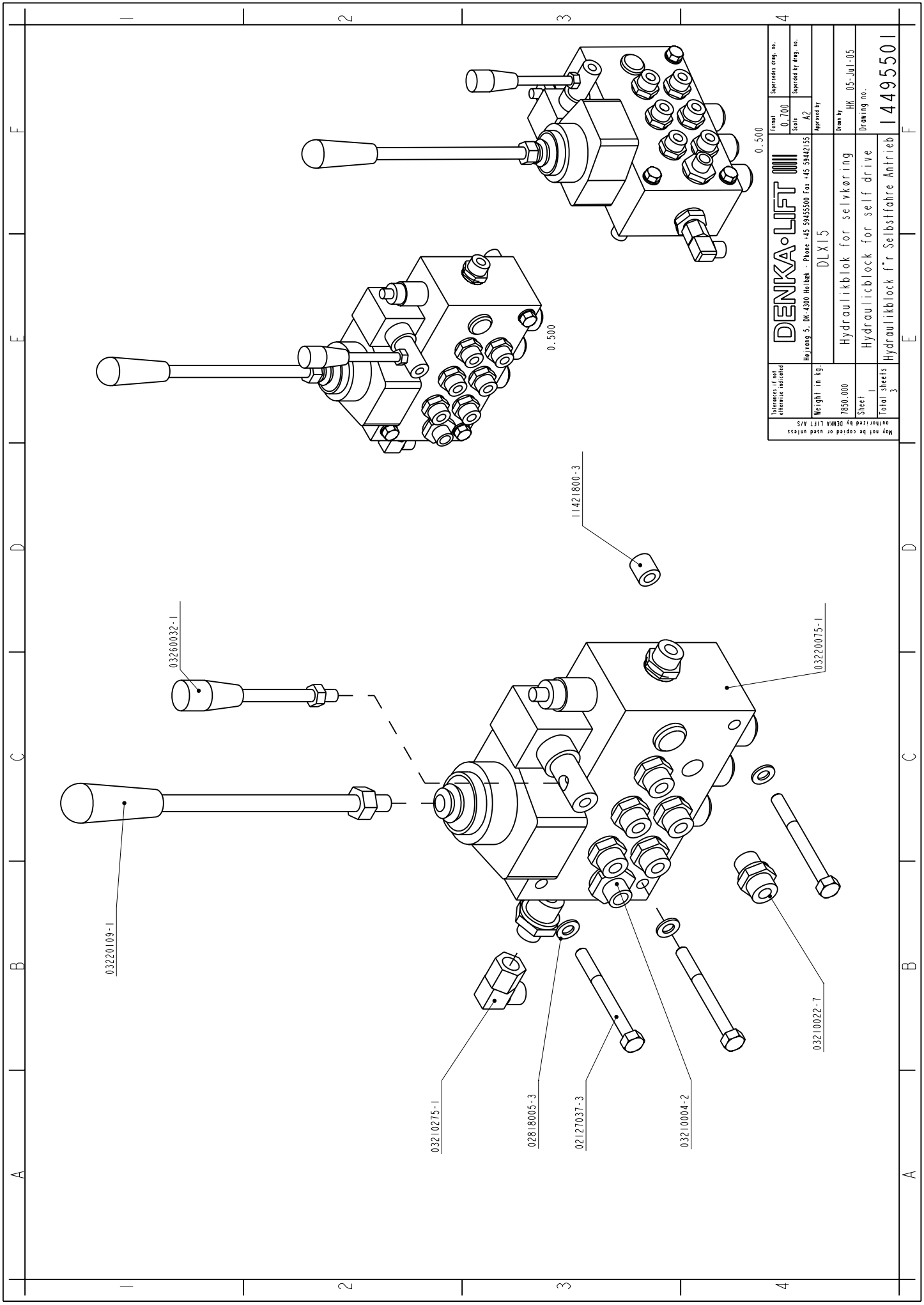
May not be copied or used unless authorized by DENKA LIFT A/S



Note: 03440079 er både elkasse og låg

Dimensions if not otherwise indicated	Formel L.500	Supersedes drawing no.	4
Weight in kg 0.121	Scale A2	Superseded by drawing no.	
Sheet 1	Approved by DLX15		
Total sheets 1	Drawn by HK 02-Mar-05		
DENKA-LIFT Højvang 5, DK-4200 Høbbek - Phone +45 59455500 Fax +45 59442155			
Dåse chassis, man./hyd. undervogn			
Drawing no. 14495401			

May not be copied or used unless authorized by DENKA LIFT A/S

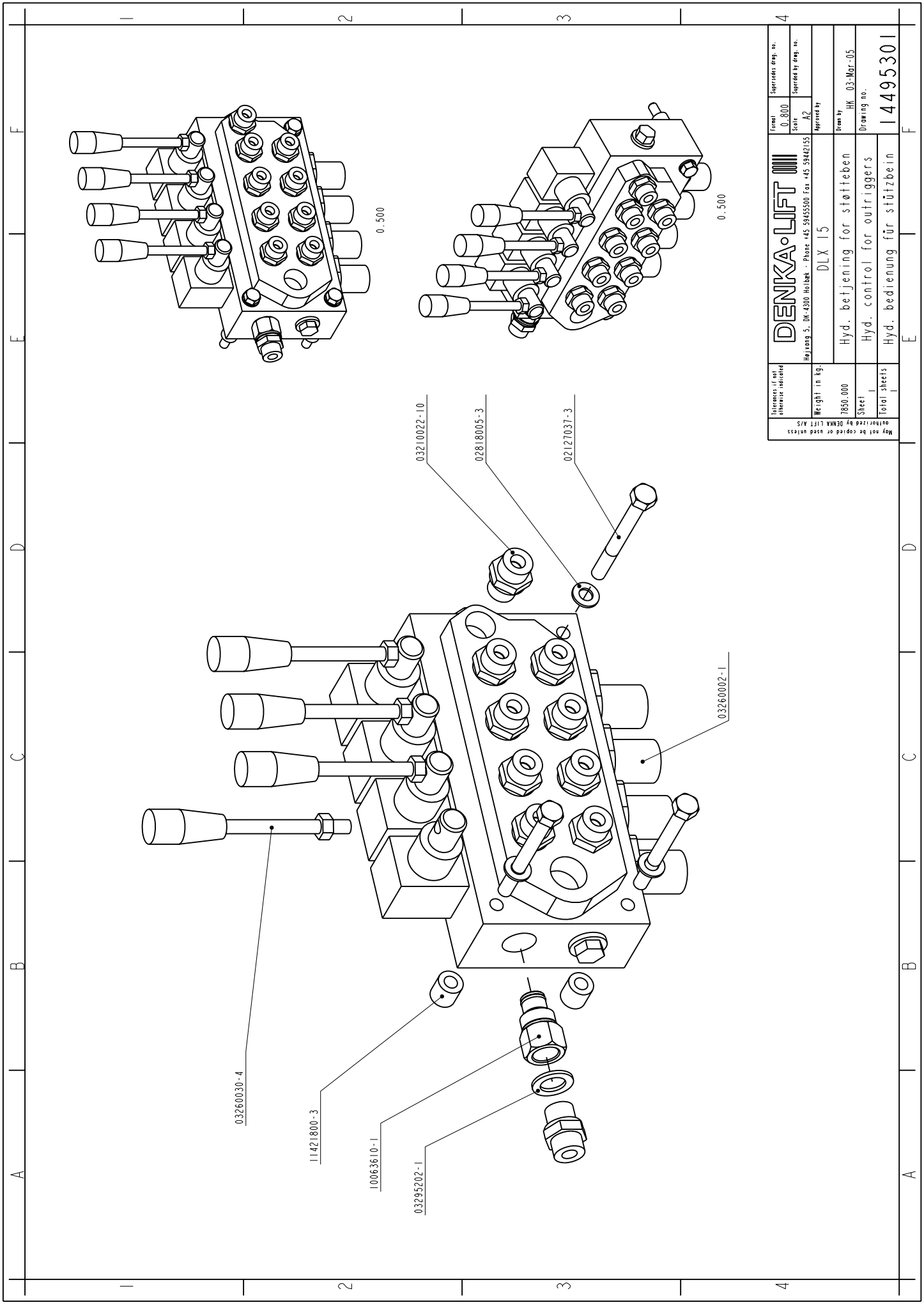


Differences if not otherwise indicated	Formel	Supersedes drawing no.
	0.700	Scale
Weight in kg	11421800-3	Supersedes by drawing no.
	DLX15	Approved by
Sheet	Drawn by	
	HK_05-Jul-05	
Total sheets	Drawing no.	
	14495501	

**DENKA-LIFT**  
 Holtrup 5, DK-4300 Haslev - Phone +45 59455500 Fax +45 59442155  
 Hydraulic block for self-driving  
 Hydraulic block for self drive

0.500  
 03220109-1  
 03260032-1  
 03210275-1  
 02818005-3  
 02127037-3  
 03210004-2  
 03210022-7  
 03220075-1  
 11421800-3

May not be copied or used unless authorized by DENKA LIFT A/S

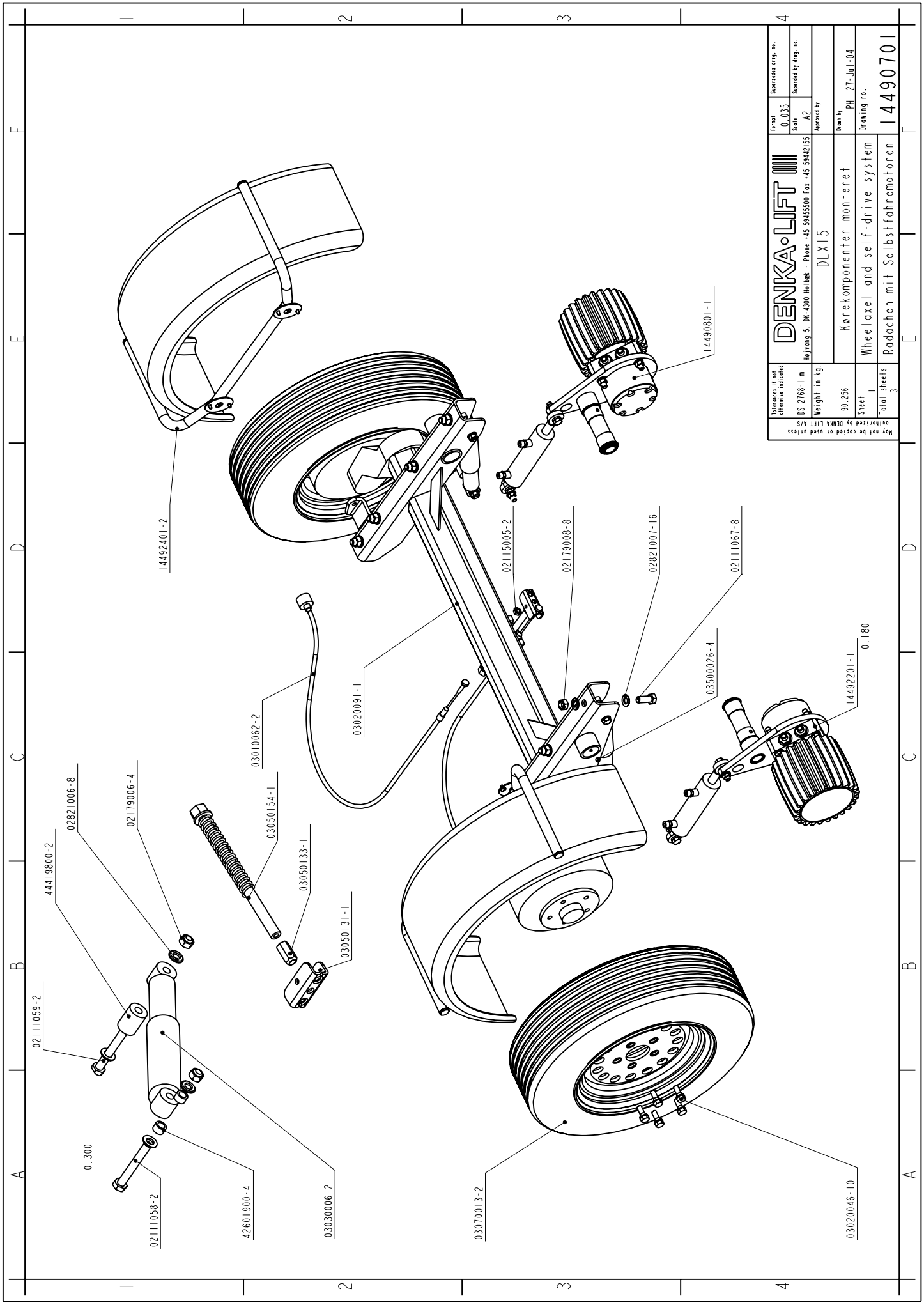


Tolerances if not otherwise indicated	Formel	Supersedes drawing no.
	0.800 Scale	Superseded by drawing no.
Weight in kg:	Approved by	
	DLX 15	
7850.000	Drawn by	
Sheet	HK_03-Mar-05	
Total sheets	Drawing no.	
1	14495301	

DENKA-LIFT  
 Højvang 5, DK-4300 Hvidebø - Phone: +45 59465500 Fax: +45 59462155  
 Hyd. betjening for støttestæben  
 Hyd. control for outriggers  
 Hyd. bedienung für stützbein

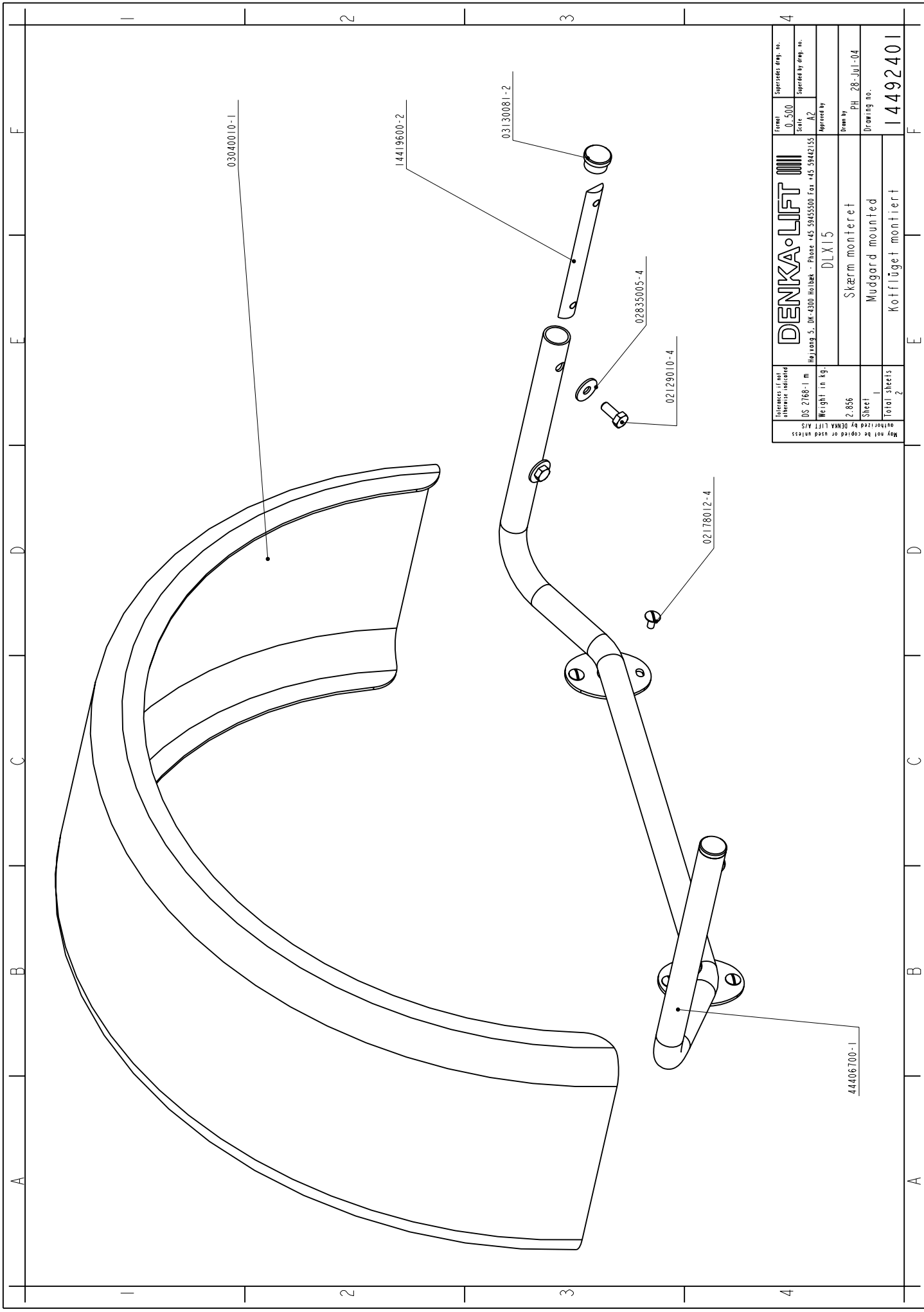
May not be copied or used unless authorized by DENKA LIFT A/S





Tolerances if not otherwise indicated DS 2168-1 m Weight in kg 190,256 Sheet Total sheets 3	<b>DENKA-LIFT</b> DLX15 Kõrekomponenter monteret Wheel axle and self-drive system Radachsen mit Selbstfahrmotoren	Formel 0.035 Scale A2 Approved by PH 27-Juli-04 Drawing no. 14490701	Supersedes drawing no. Supersedes drawing no. Approved by Drawn by Drawing no.
---	---	---	--

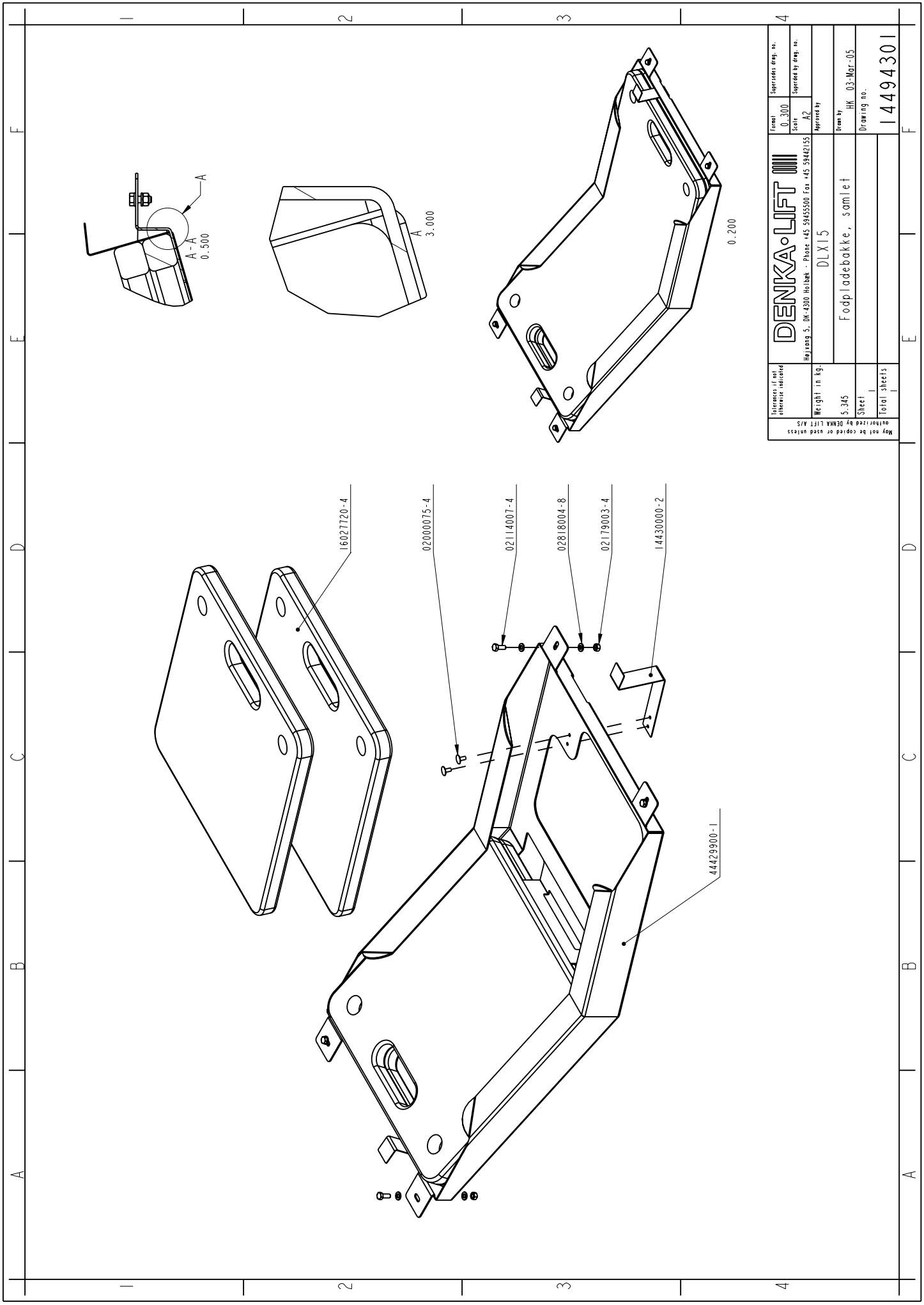
May not be copied or used unless authorized by DENKA LIFT A/S



Dimensions (if not otherwise indicated)	DS 2168-1 m	Højvang 5, DK-4300 Hvidebø - Phone +45 59455500 Fax +45 59442155	
Weight in kg:	2.856	DLX15	
Sheet	1	Skærm monteret	
Total sheets	2	Mudgærd monteret	
		Kofflæget monteret	
Total sheets		14492401	
Formel		Supersedes drawing no.	
Scale		Supersedes by drawing no.	
Approved by		Drawn by	
		PH_28_Jul-04	
		Drawing no.	
		14492401	

**DENKA LIFT**

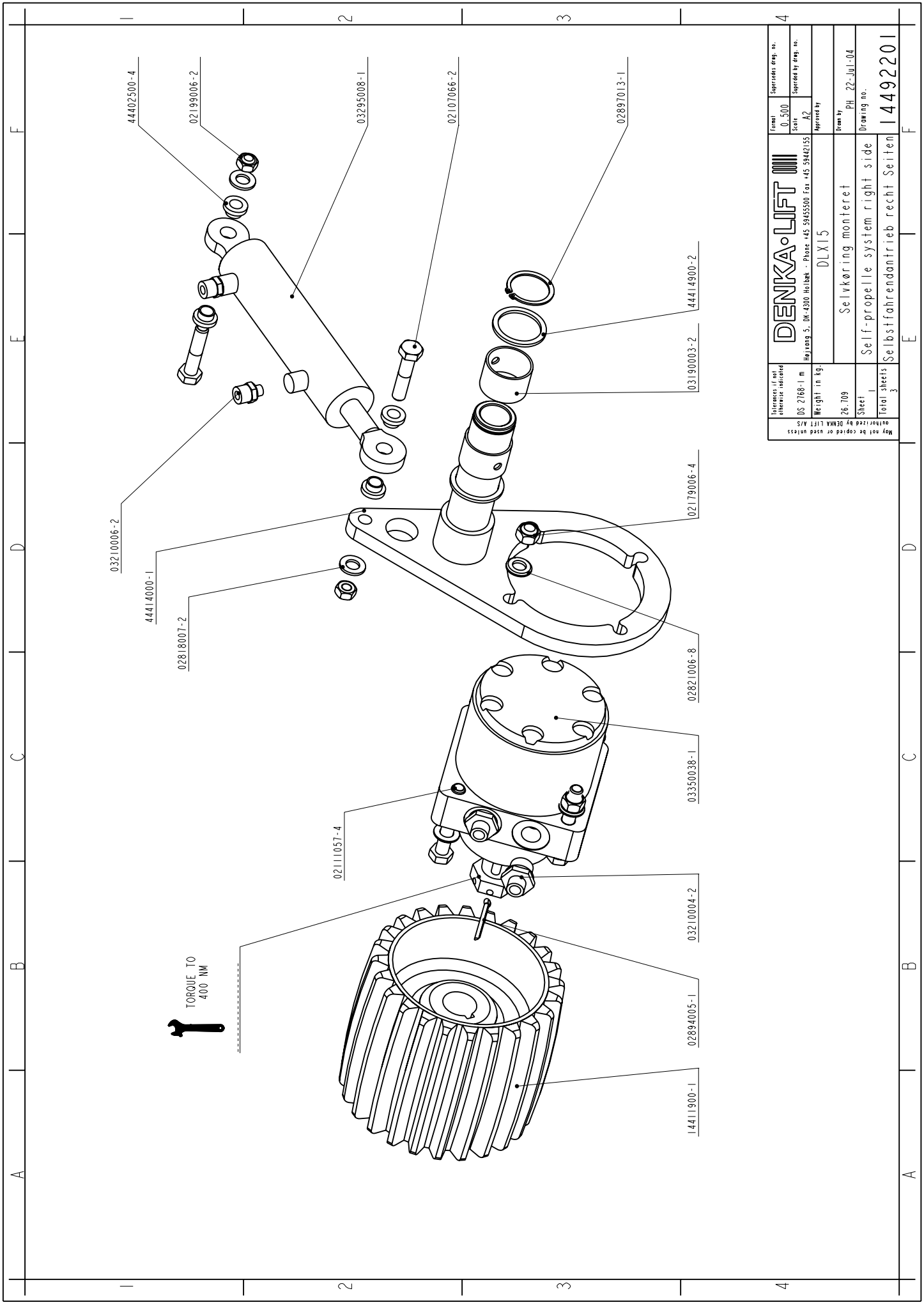
May not be copied or used unless authorized by DENKA LIFT A/S



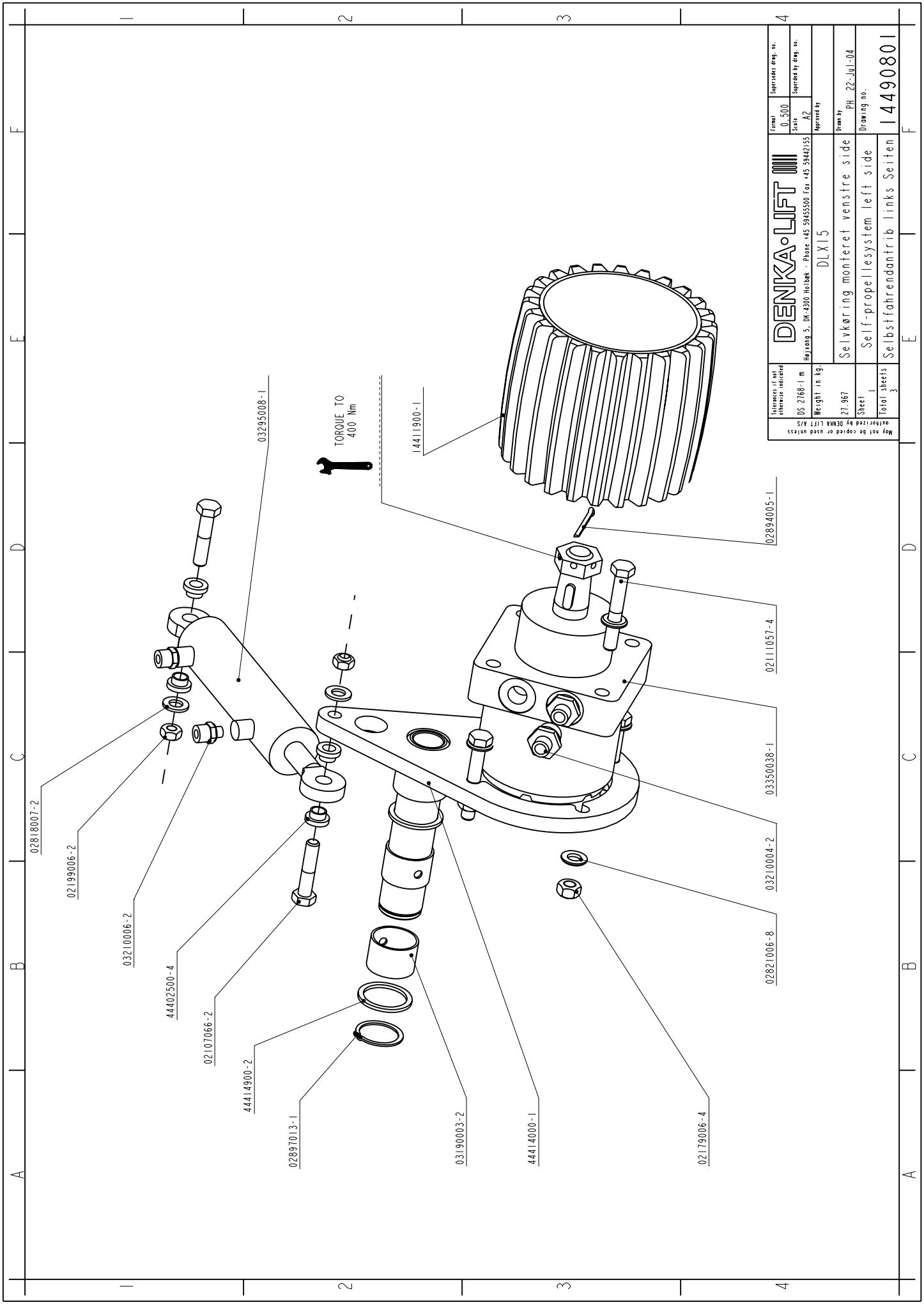
Dimensions (if not otherwise indicated)	Formel	Supersedes drawing no.
Weight in kg	0.300	0.300
5.345	Scale	Supersedes by drawing no.
Sheet	A2	DLX15
Total sheets	1	DLX15
1	Approved by	DK-4200 Høstede - Phone +45 59455500 Fax +45 59442155
1	Drawn by	DK-03-Mar-05
1	Drawing no.	14494301
1	Fodpladebakke, samlet	

**DENKA-LIFT**

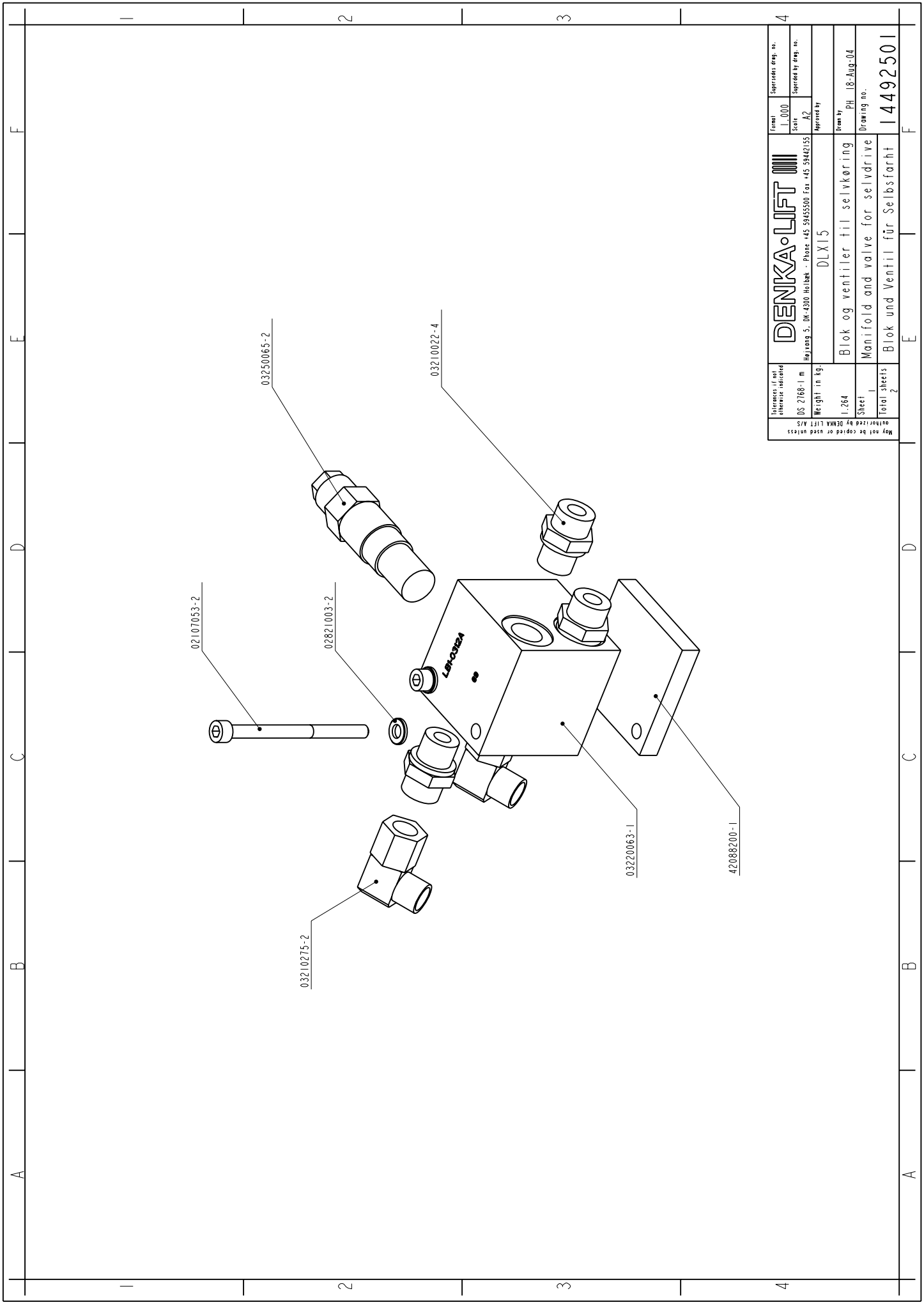
May not be copied or used unless authorized by DENKA LIFT A/S



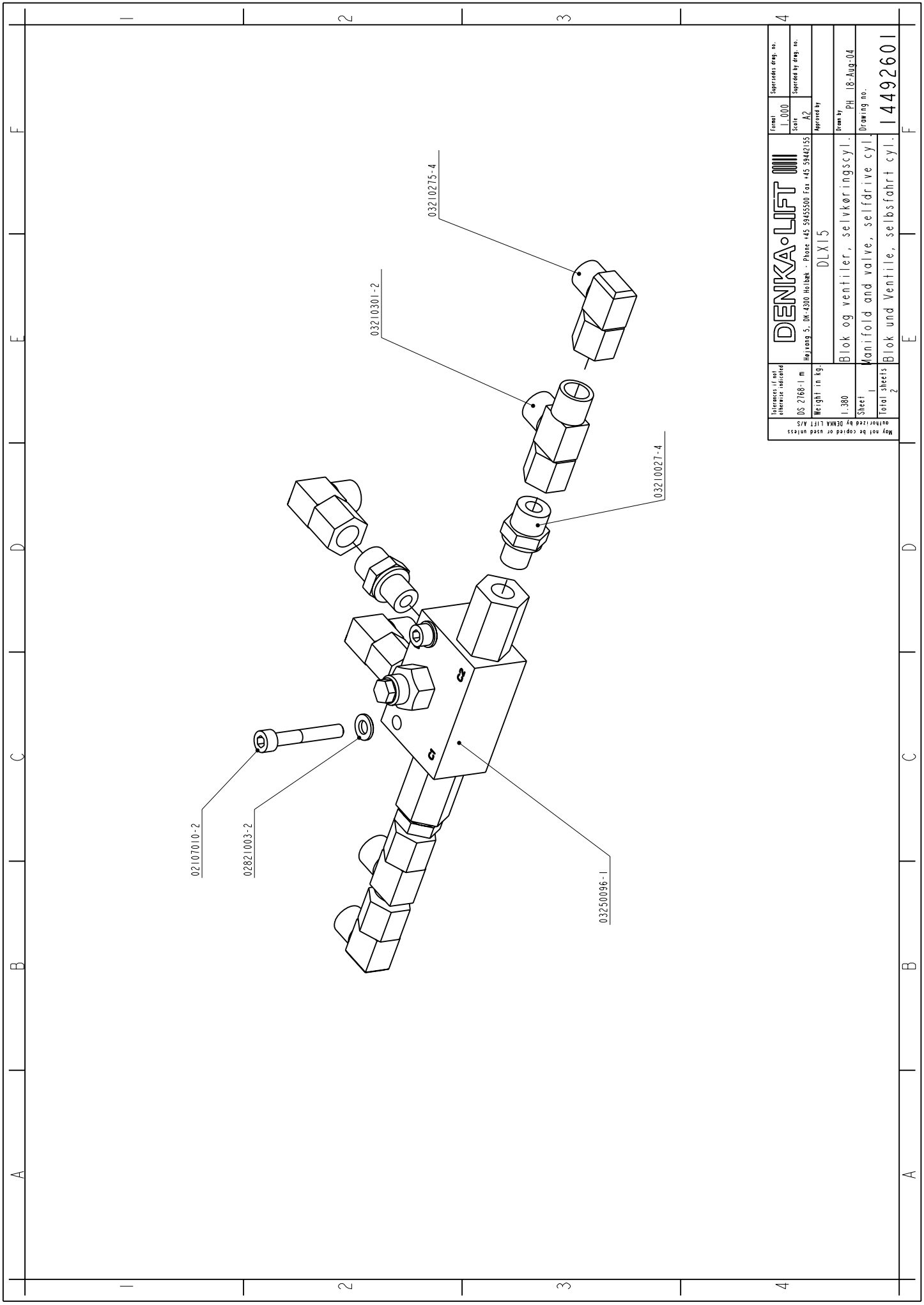
Tolerances if not otherwise indicated DS 2168-1 m Weight in kg 26,709 Sheet Total sheets 3	<b>DENKA LIFT</b> Højrang 5, DK-4300 Hørbæk - Phone +45 59455500 Fax +45 59442155 DLX15	Formel 0-500 Scale A2 Approved by PH 22-Jul-04 Drawing no. 14492201	4
May not be copied or used unless authorized by DENKA LIFT A/S	Selfvøring monteret Self-propelle system right side Selbstfahrandantrieb recht Seiten	Approved by PH 22-Jul-04 Drawing no. 14492201	F E D C B A



Drawings if not otherwise indicated	Denka-LIFT	Formel	Supersedes drawing no.
DS 2168-1 m		Scale	0-500
Weight in kg	DLX15	Scale	A2
27.967		Approved by	
Sheet	Selvkör monteret venstre side	Drawn by	PH 22-Jul-04
Total sheets	Self-propelled system left side	Drawing no.	
3	Selbstfahrandtrieb links Seiten		
Authorized by DENKA LIFT A/S		Drawing no. 14490801	



Tolerances if not otherwise indicated		Denka-LIFT		Supersedes drawing no.	
DS 2169-1 m		Højvang 5, DK-4300 Hørbæk - Phone +45 59455500 Fax +45 59442155		1:000	
Weight in kg:		DLX15		Scale	
1:264		Blok og ventiler til selvkøring		A2	
Sheet 1		Manifold and valve for selvdriive		Approved by	
Total sheets 2		Blok und Ventil für Selbstfahrt		PH 18-Aug-04	
May not be copied or used unless authorized by DENKA LIFT A/S		14492501		Drawing no.	



Dimensions (if not otherwise indicated)	DS 2169-1 m	Weight in kg	DLX15	Formel	1.000	Supersedes drawing no.
	03210027-4	1.380		Scale	A2	Supersedes by drawing no.
authorized by DENKA LIFT A/S		Sheet		Approved by		
May not be copied or used unless		Total sheets		Drawn by	PH	18-Aug-04
		2		Manifold and valve, selfdrive cyl.		
				Blok og ventiler, selvkøringscykl.		
				Manifold and valve, selfdrive cyl.		
				Blok und Ventile, selbstfahrt cyl.		
						14492601

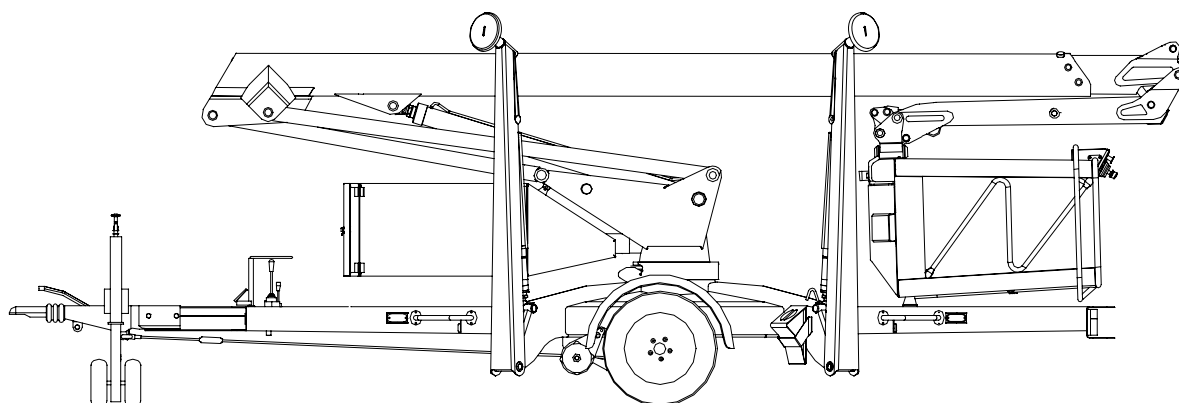




**RESERVEDELS-  
KATALOG**

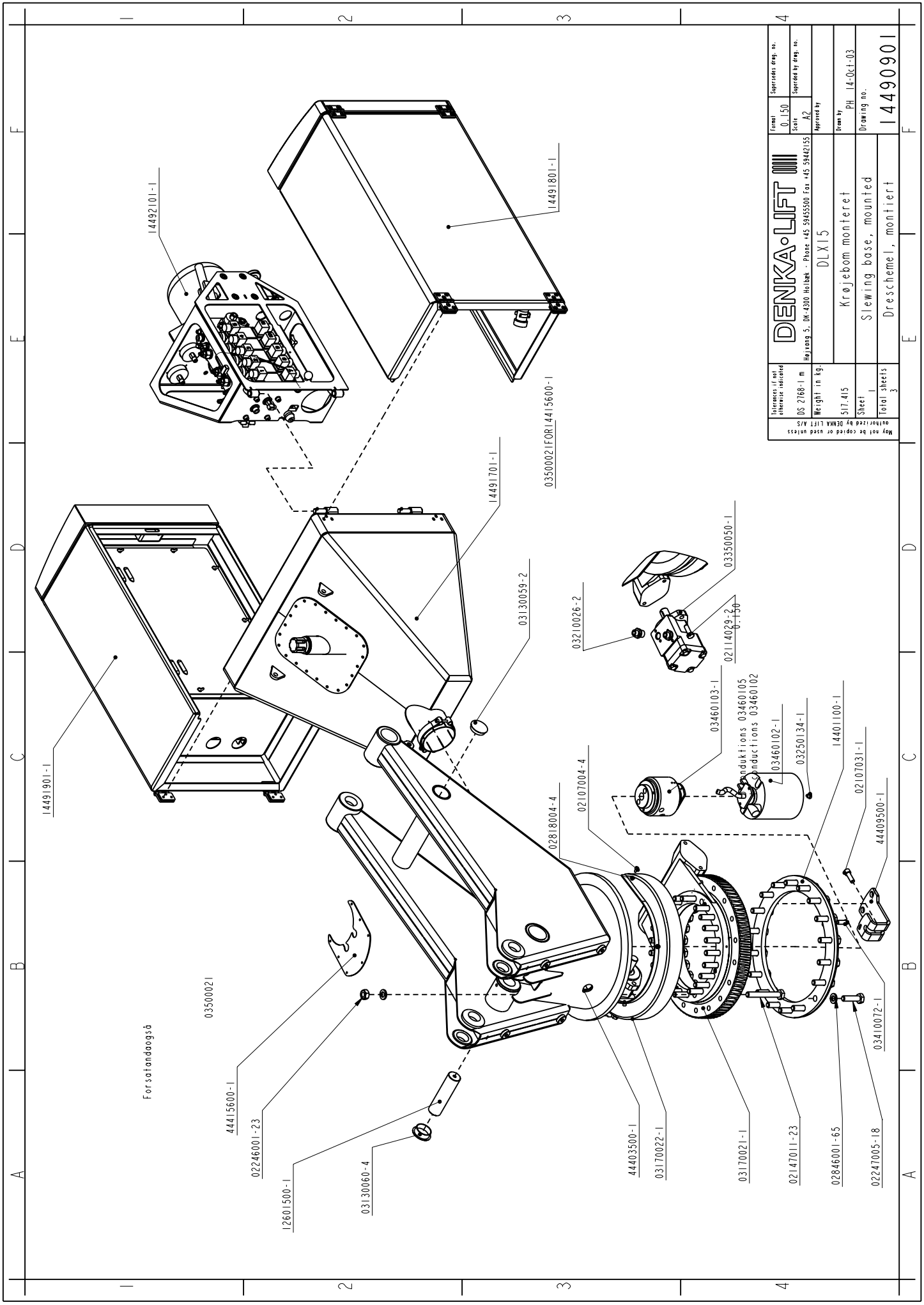
**SPARE PARTS  
CATALOGUE**

**ERSATZTEILS-  
KATALOG**



**KRØJEBOM  
SLEWING BOOM  
DREHSCHEMEL**

Version – 12.2004



Forsamlingsdiagram

Dimensions (if not otherwise indicated)	DS 2168-1 m	Weight in kg	517,415	Sheet	1	Total sheets	3
Formel	0.150	Scale	A2	Approved by			
Supersedes drawing no.							
Supersedes by drawing no.							
<b>DENKA-LIFT</b>							
DLX15							
Krojevom monteret							
Slewing base, mounted							
Drescheme1, monteret							
14490901							

May not be copied or used unless authorized by DENKA LIFT A/S

03500021 FOR 14415600-1

03350050-1

02114029-2

03460103-1

Produktions 03460105  
Produktions 03460102

03460102-1

03250134-1

14401100-1

02107031-1

44409500-1

14491901-1

14491701-1

03130059-2

02818004-4

02107004-4

03170022-1

03170021-1

02147011-23

02846001-65

02247005-18

03410072-1

14491801-1

03350050-1

02114029-2

03460103-1

Produktions 03460105  
Produktions 03460102

03460102-1

03250134-1

14401100-1

02107031-1

44409500-1

03500021

44415600-1

02246001-23

12601500-1

03130060-4

02818004-4

02107004-4

03170022-1

03170021-1

02147011-23

02846001-65

02247005-18

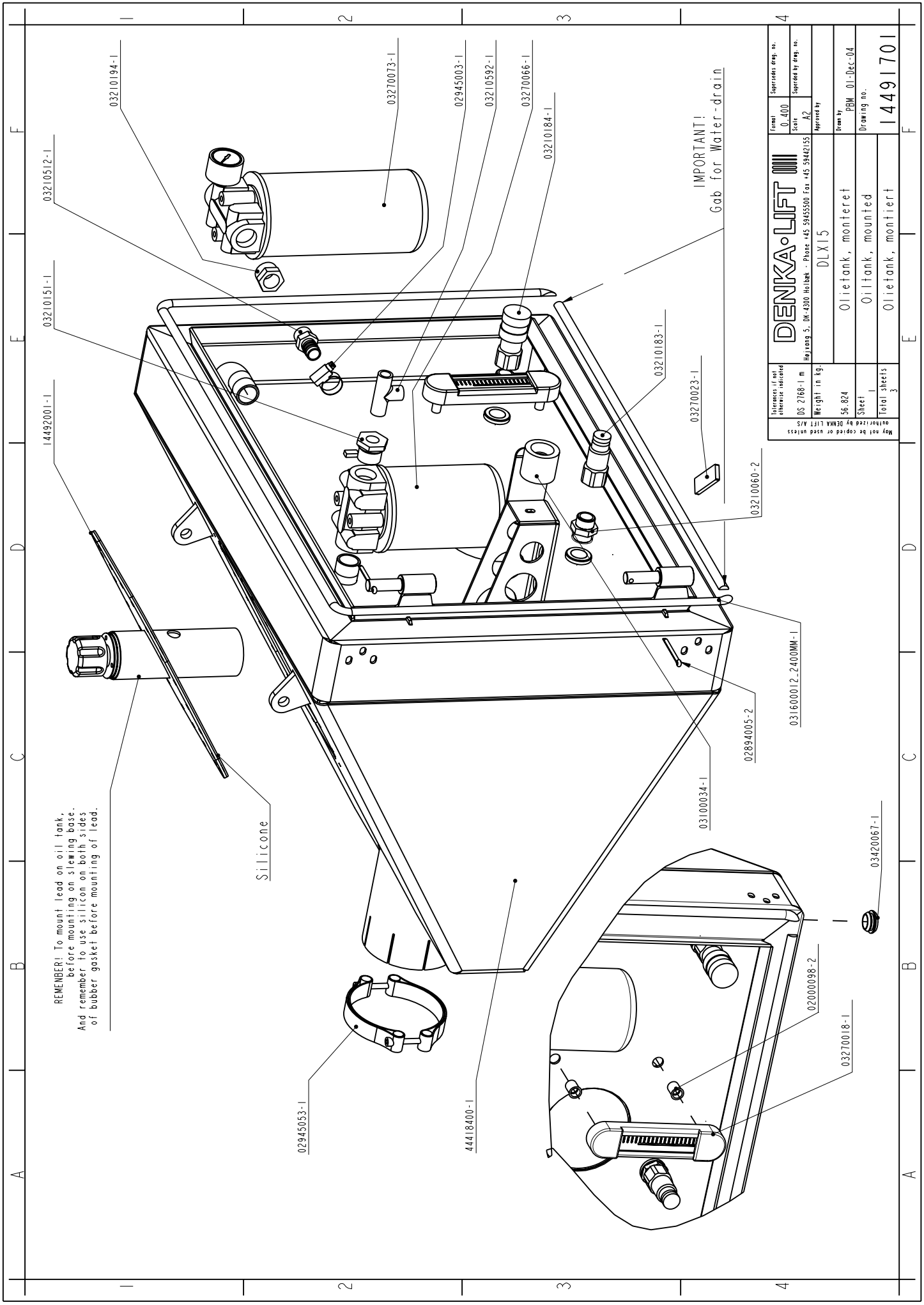
03410072-1

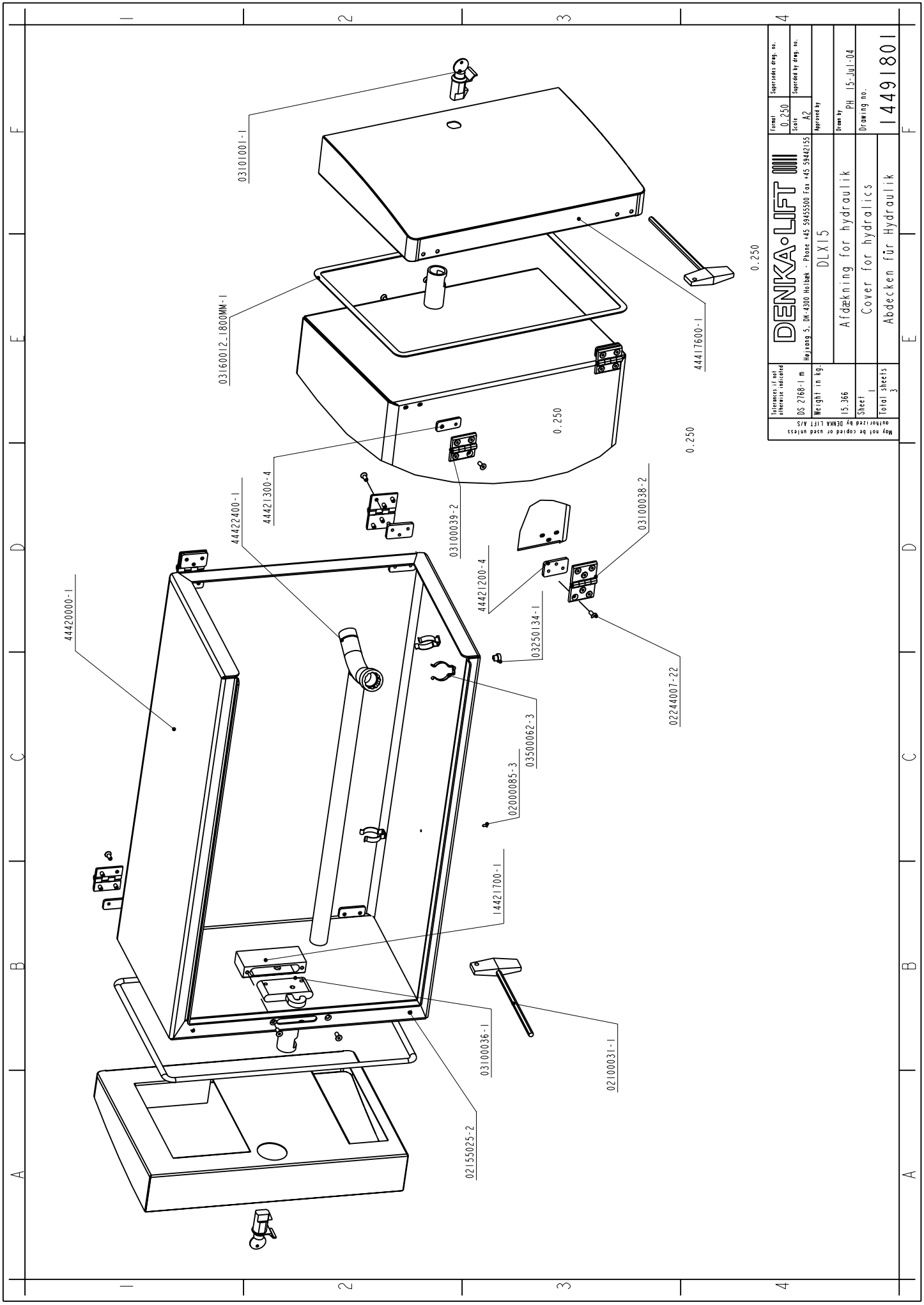
REMEMBER! To mount lead on oil tank,  
before mounting on slewing base.  
And remember to use silicon on both sides  
of rubber gasket before mounting of lead.

Silicone

IMPORTANT!  
Gab for Water-drain

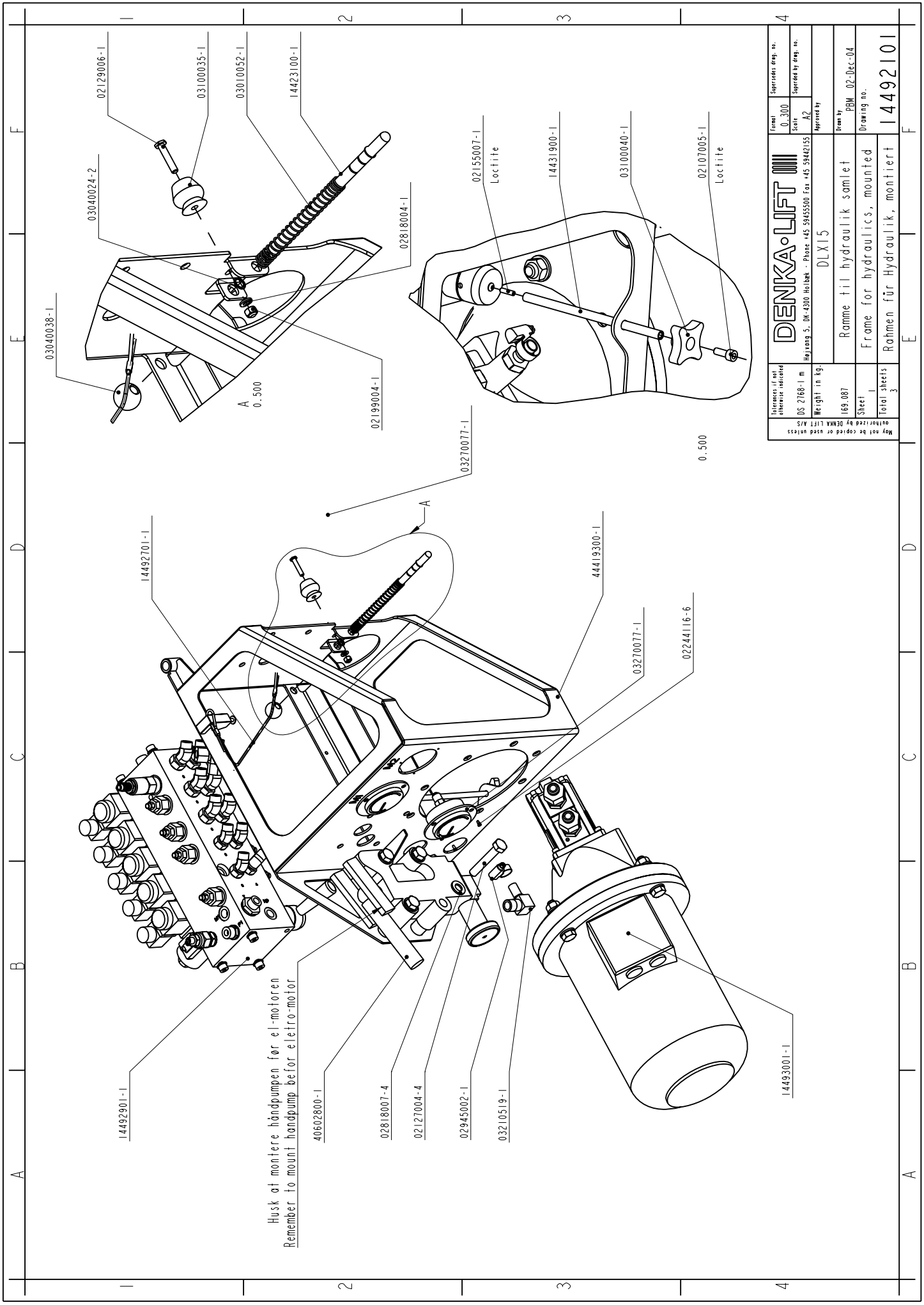
Dimensions if not otherwise indicated	DS 2168-1 m	Weight in kg	DLX15	Formal Scale	0.400	Supersedes drawing no.	
	031600012-2,400MM-1	56.824	Oiletank, monteret	Scale	A2	Supersedes by drawing no.	
authorized by DENKA LIFT A/S		Sheet	Oiletank, mounted	Approved by			
May not be copied or used unless		Total sheets	Oiletank, monteret	Drawn by	PBM	01-Dec-04	
		3		Drawing no.			14491701





Dimensions (if not otherwise indicated)	DS 2169-1 m	Weight in kg	15.366	Sheet	1	Total sheets	3
Material	0.250	Scale	A2	Approved by	DLX15		
Supersedes drawing no.	0.250	Supersedes by drawing no.	0.250	Drawn by	PH 15-Jul-04		
DENKA LIFT				Afdækning for hydraulik			
Højvang 5, DK-4300 Hvidebæk - Phone +45 59455500 Fax +45 59442155				Cover for hydraulics			
				Abdecken für Hydraulik			
				14491801			

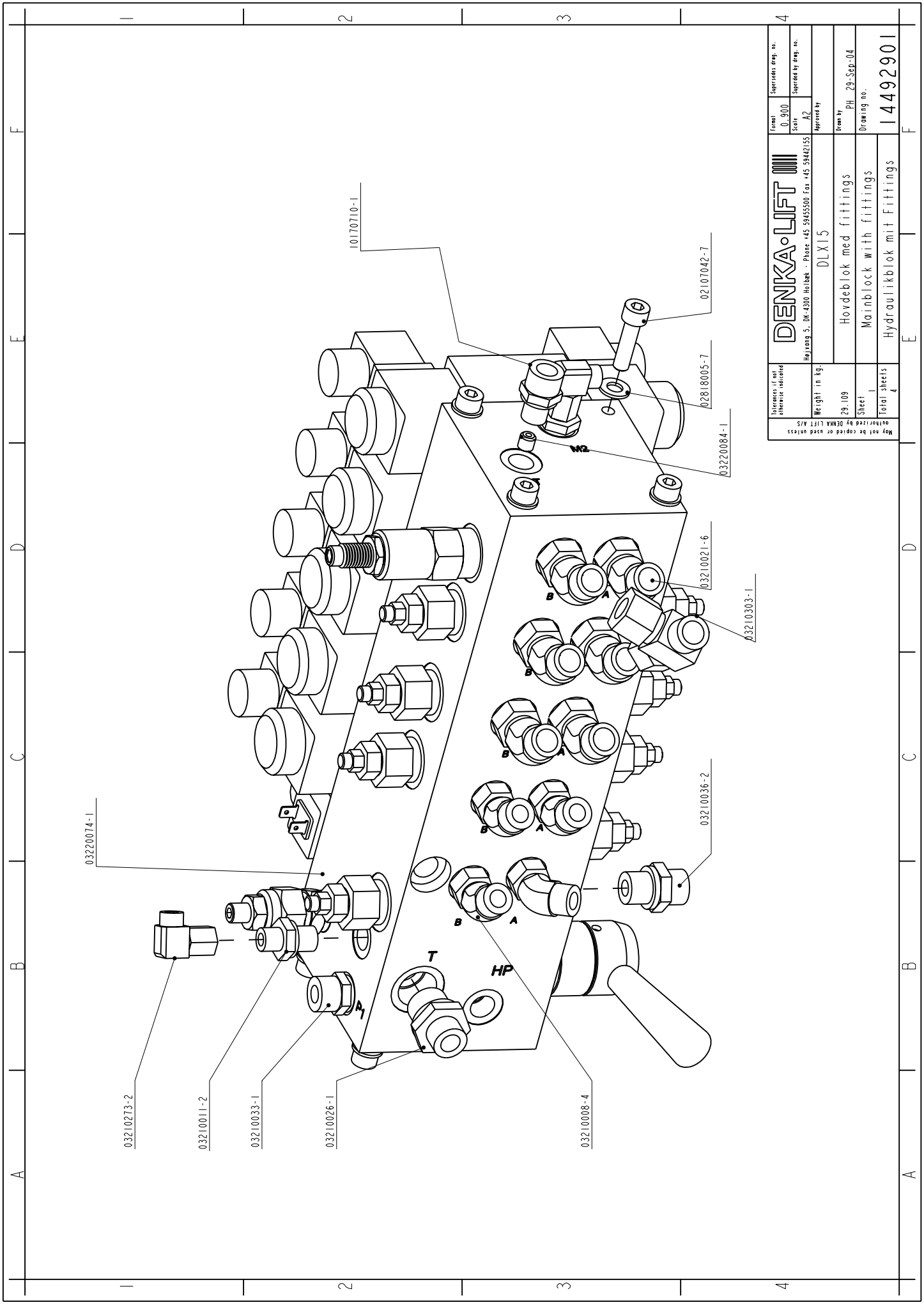
May not be copied or used unless authorized by DENKA LIFT A/S



Husk at montere håndpumpen før el-motoren  
Remember to mount handpump before electro-motor

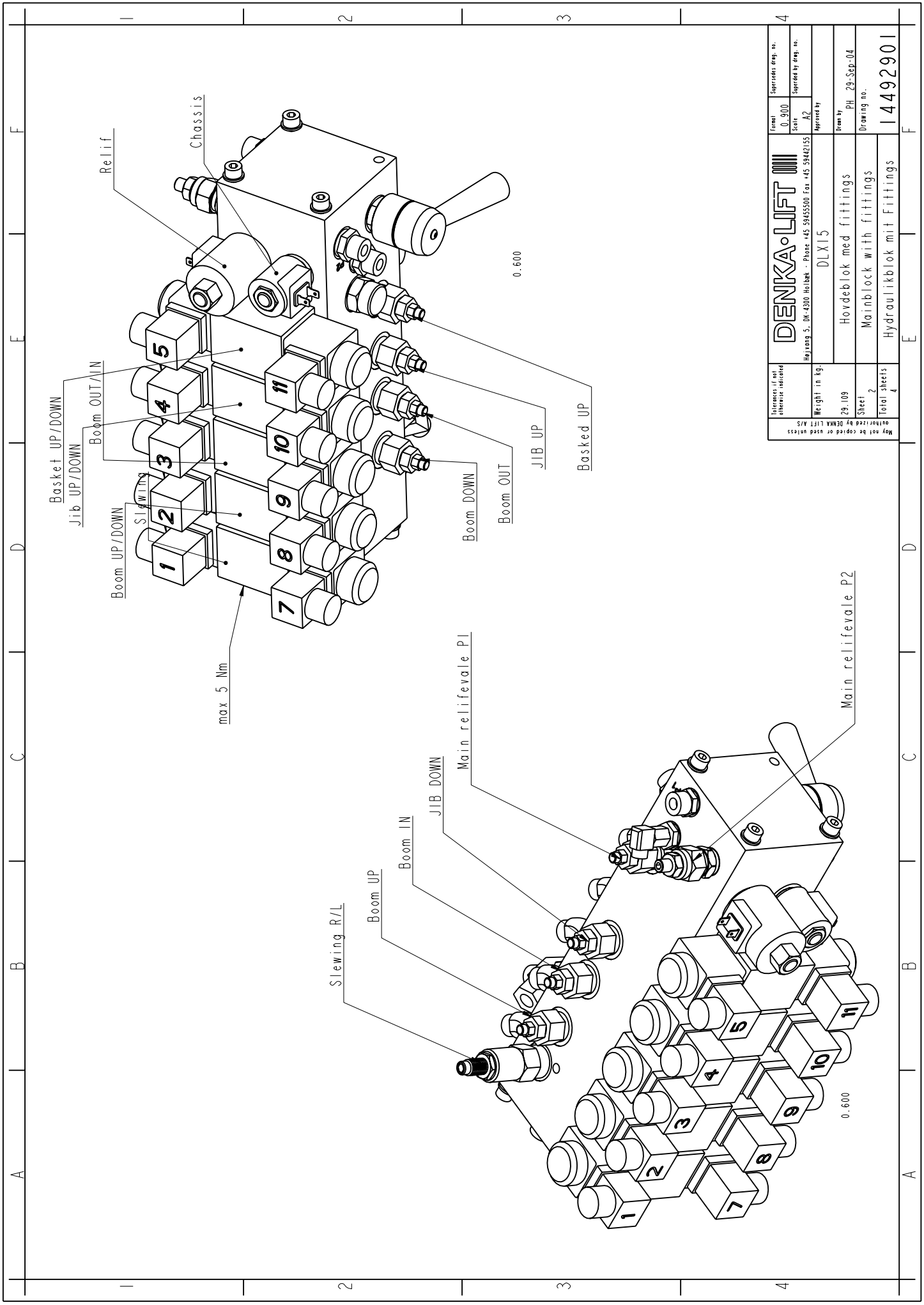
Drawings if not otherwise indicated	Denka-Lift	Formel	0.300	Supersedes drawing no.	
DS 2169-1 m		Scale	A2	Supersedes by drawing no.	
Weight in kg	DLX15	Approved by			
169.087	Ramme til hydraulik samlet	Drawn by	PBM	02-Dec-04	
Sheet 1	Frame for hydraulics, mounted	Drawing no.			
Total sheets 3	Rahmen für Hydraulik, montiert				14492101

May not be copied or used unless authorized by DENKA LIFT A/S



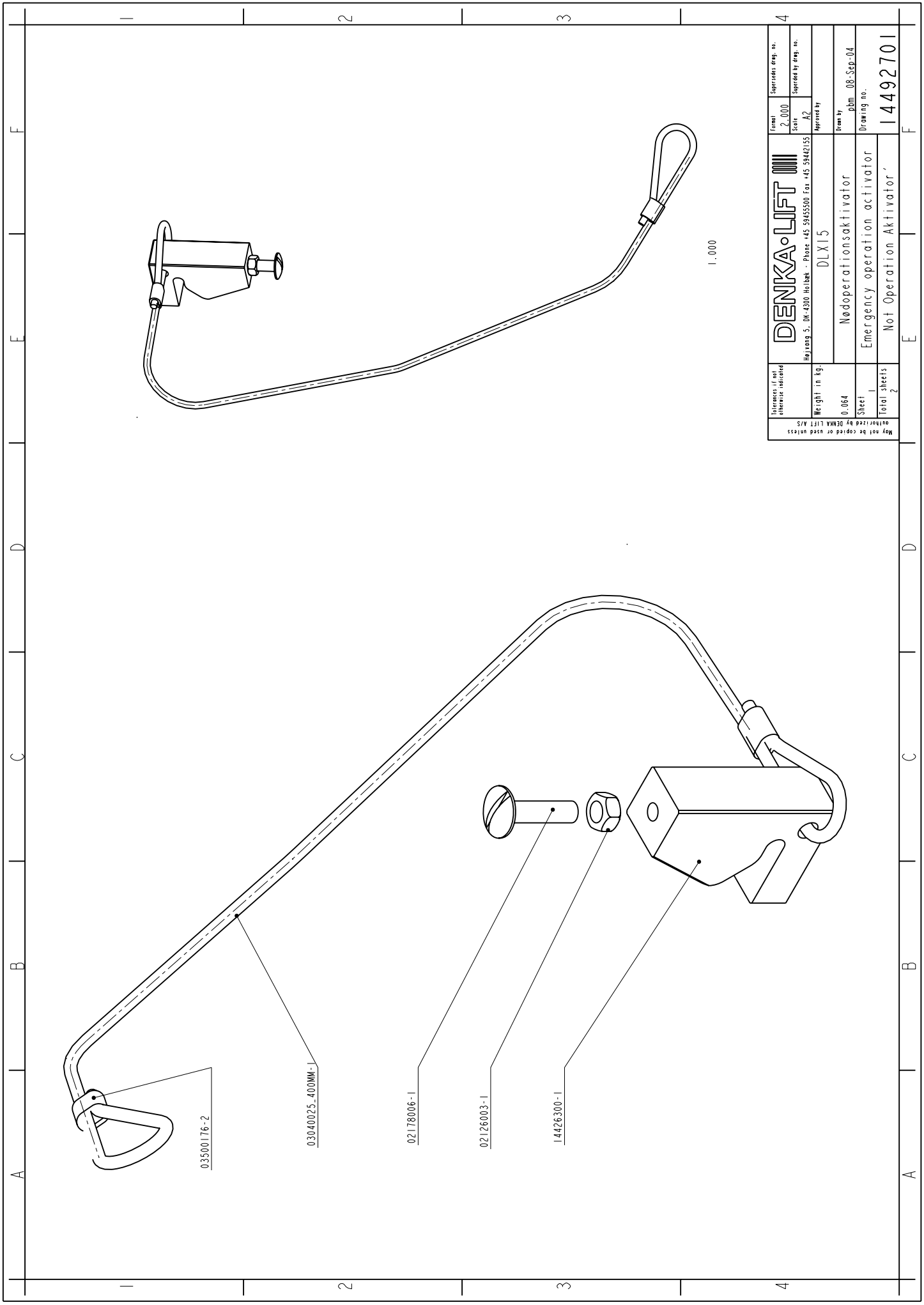
Tolerances if not otherwise indicated	Denka-LIFT Højvang 5, DK-4300 Hvidebø - Phone +45 59455500 Fax +45 59442155	Format 0-900	Supersedes drawing no.
Weight in kg: 29.109	DLX15	Scale A2	Superseded by drawing no.
Sheet 1	Hovedblok med fittings Mainblock with fittings	Approved by PH 29-Sep-04	Drawing no.
Total sheets 4	Hydraulikkblok mit Fittings	Drawing no.	14492901

May not be copied or used unless authorized by DENKA LIFT A/S



Dimensions if not otherwise indicated	Formel	Supersedes drawing no.
Weight in kg	0.910	0.910
Scale	A2	Scale
Approved by	DLX15	Supersedes by drawing no.
Drawn by	PH 29-Sep-04	
Sheet	2	Drawing no.
Total sheets	4	
Hydraulic block with fittings		14492901
Hydraulikkblok mit Fittings		

DENKA-LIFT  
 Højvang 5, DK-4200 Hvidebø - Phone +45 59455500 Fax +45 59442155  
 Hovedblok med fittings  
 Mainblock with fittings  
 Hydraulikkblok mit Fittings



Tolerances (if not otherwise indicated)	Formel	Supersedes drawing no.
	2_000	
Weight in kg:	Scale	Superseded by drawing no.
	0_004	A2
Sheet	Approved by	
	DLX15	
Total sheets	Drawn by	
	pbm 08-Sep-04	
Authorized by DENKA LIFT A/S	Drawing no.	
	Emergency operation activator	
May not be copied or used unless authorized by DENKA LIFT A/S		1 4492701

**DENKA-LIFT**

Mojevac 5, DK-4300 Hvidebæk - Phone +45 59455500 Fax +45 59442155

DLX15

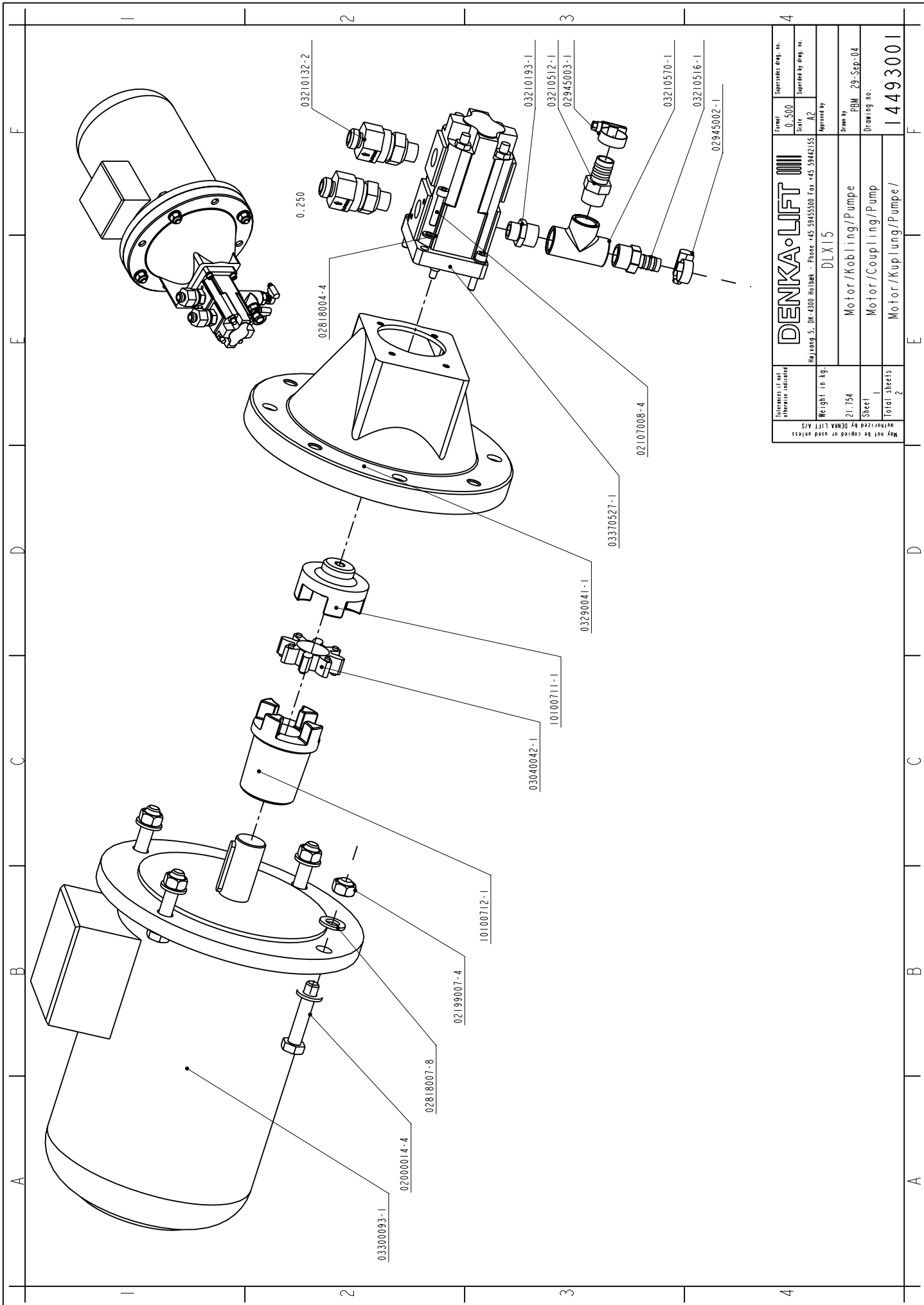
Not Operation Aktivator

Emergency operation activator

Not Operation Aktivator

1.000

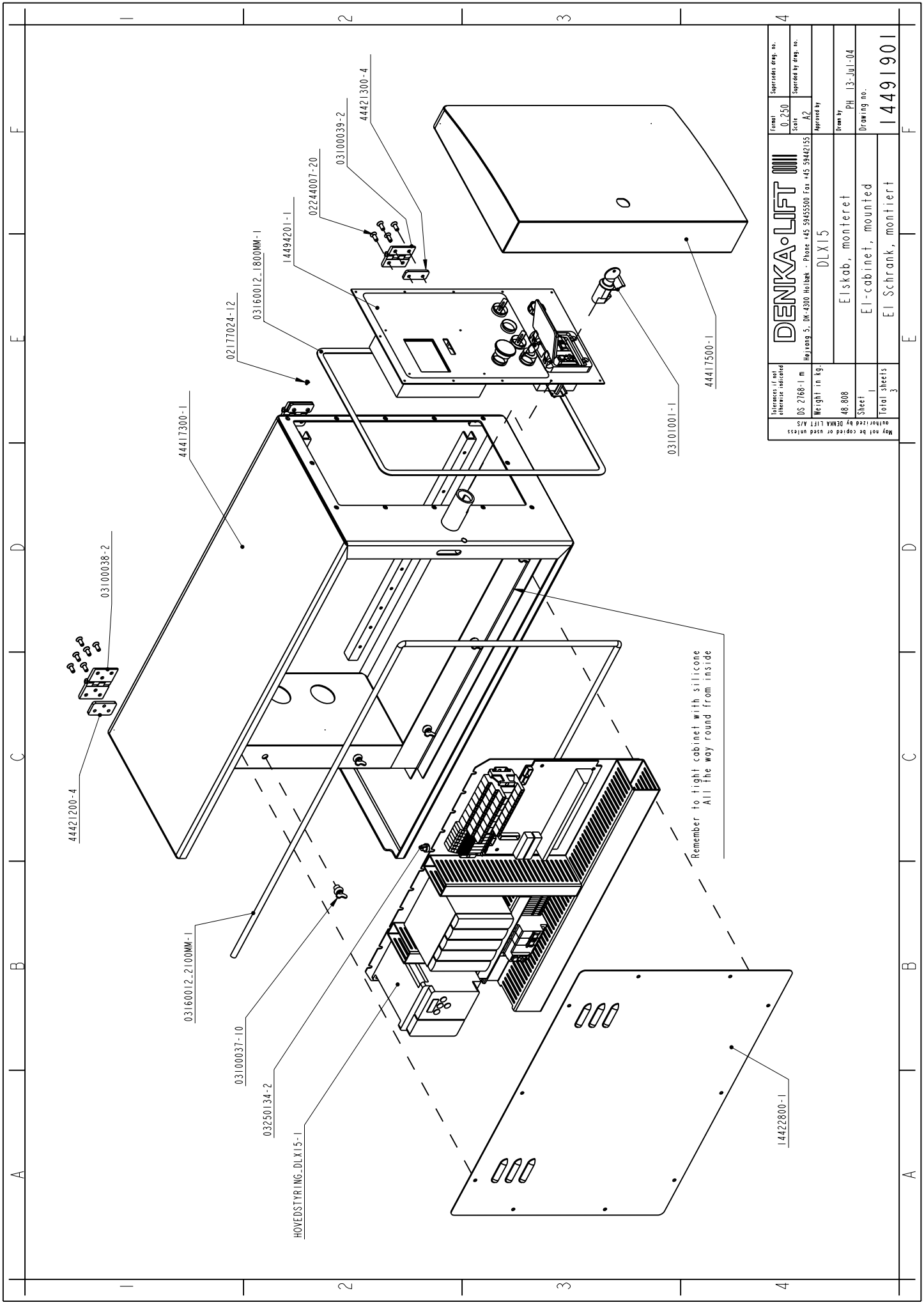




Tolerances if not otherwise indicated	Formel	Supersedes drawing no.
	0.500	
Weight in kg.	Scale	Supersedes by drawing no.
	21.754	A2
Sheet	Approved by	
	DLX15	
Total sheets	Motor /Kobling/Pumpe	
	Motor/Coupling/Pump	
Motor/Kuplung/Pumpe /		
1 4493001		

DENKA-LIFT  
 Moirang 5, DM-4200 Hebbek - Phone +45 59455500 Fax +45 59442155  
 Motor /Kobling/Pumpe  
 Motor/Coupling/Pump  
 Motor/Kuplung/Pumpe /  
 1 4493001

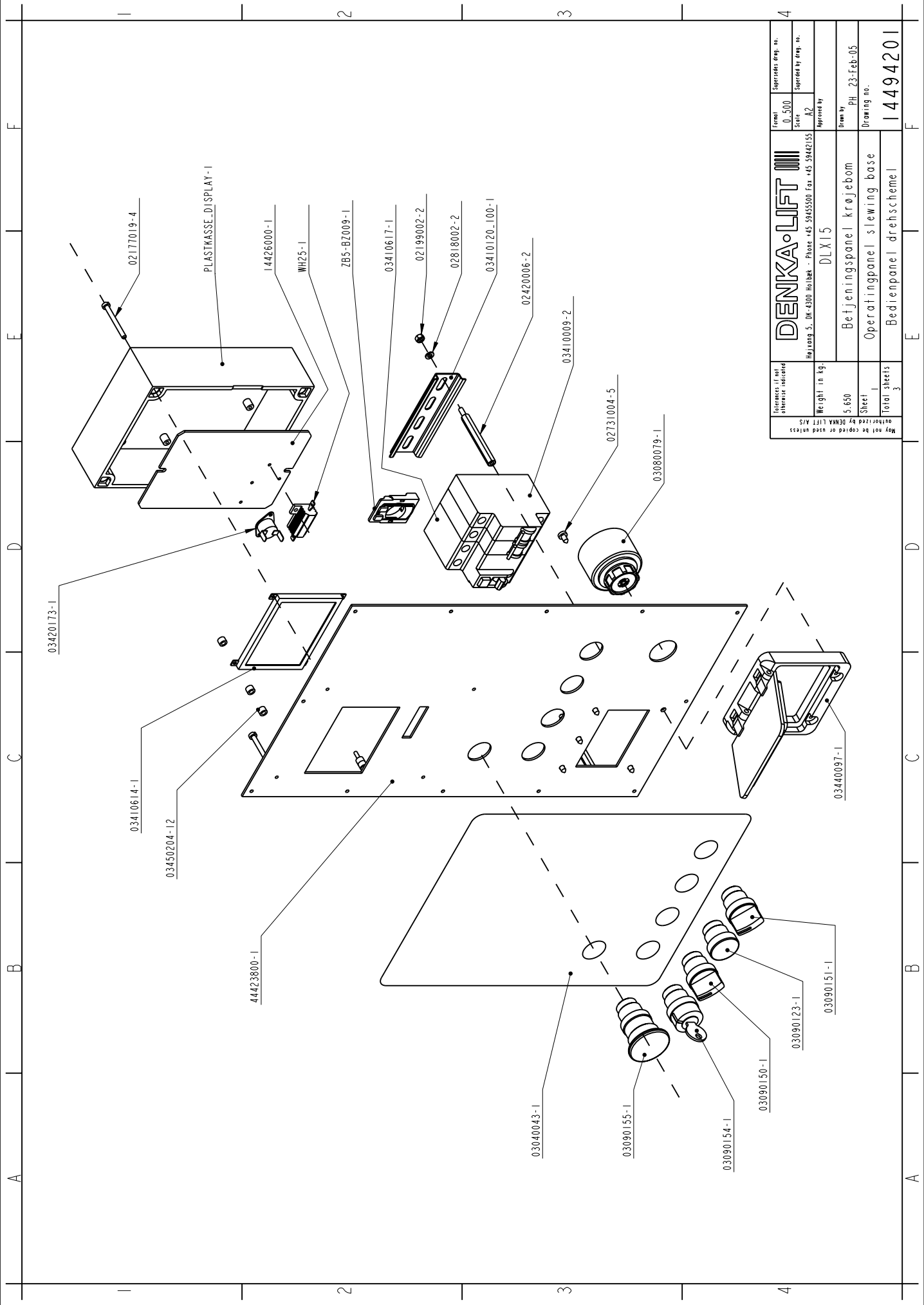
May not be copied or used unless authorized by DENKA LIFT A/S  
 02107008-4  
 03370527-1  
 03290041-1  
 10100711-1  
 03040042-1  
 10100712-1  
 02199007-4  
 02818007-8  
 02000014-4  
 03300093-1



Remember to tight cabinet with silicone  
All the way round from inside

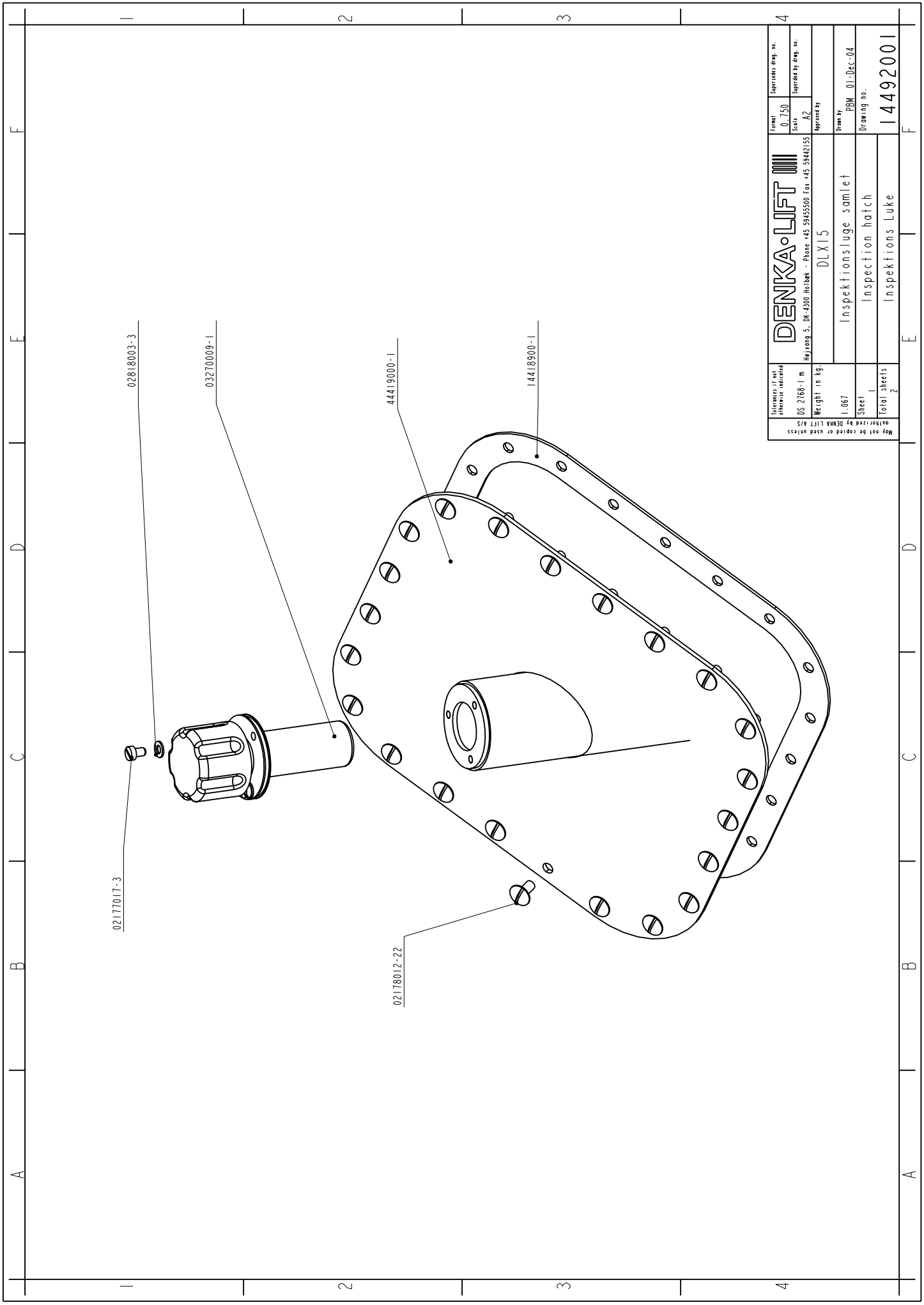
Dimensions if not otherwise indicated	Denka-LIFT	Formel	Supersedes drawing no.
DS 2168-1 m		0.250	0.250
Weight in kg:		Scale	Supersedes by drawing no.
48.808		A2	A2
Sheet		Approved by	
Total sheets		DLX15	
authorized by DENKA LIFT A/S		Elskab, monteret	Drawn by PH 13-Jul-04
		EI-cabinet, mounted	Drawing no.
		EI Schrank, montiert	14491901

May not be copied or used unless authorized by DENKA LIFT A/S



Differences if not otherwise indicated	Formel	Supersedes drawing no.
	0-500	
Weight in kg	Scale	Supersedes by drawing no.
	5.650	A2
May not be copied or used unless authorized by DENKA LIFT A/S	Approved by	
	DLX15	
	Bejningspanel krøjebom	
Sheet		PH_23-Feb-05
Total sheets		Drawing no.
1		14494201
3		

DENKA LIFT  
 Højvang 5, DK-4200 Høsbæk - Phone +45 59455500 Fax +45 59442155  
 DLX15  
 Bejningspanel krøjebom  
 Operatingpanel slewing base  
 Bedienpanel drehscheme I

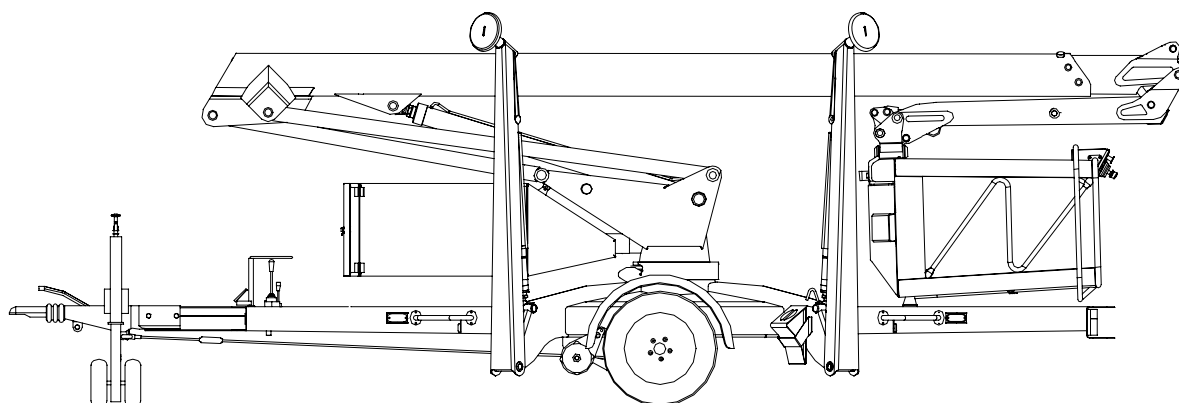


Tolerances (if not otherwise indicated)		DENKA-LIFT		Supersedes drawing no.	
DS 2169-1 m		DLX15		0-750	
Weight in kg:		Inspektions luge samlet		Scale	
1.067		Inspektions hatch		A2	
Sheet		Inspektions Luke		Approved by	
Sheet 1				PBM 01-Dec-04	
Sheet 2				Drawing no.	
Total sheets				14492001	
May not be copied or used unless authorized by DENKA LIFT A/S					
Address (if not otherwise indicated)		Phone +45 59455500 Fax +45 59442155			
No. 101, Lang. 5., DK-4300 Hørbæk		E-mail: DLX15			

**RESERVEDELS-  
KATALOG**

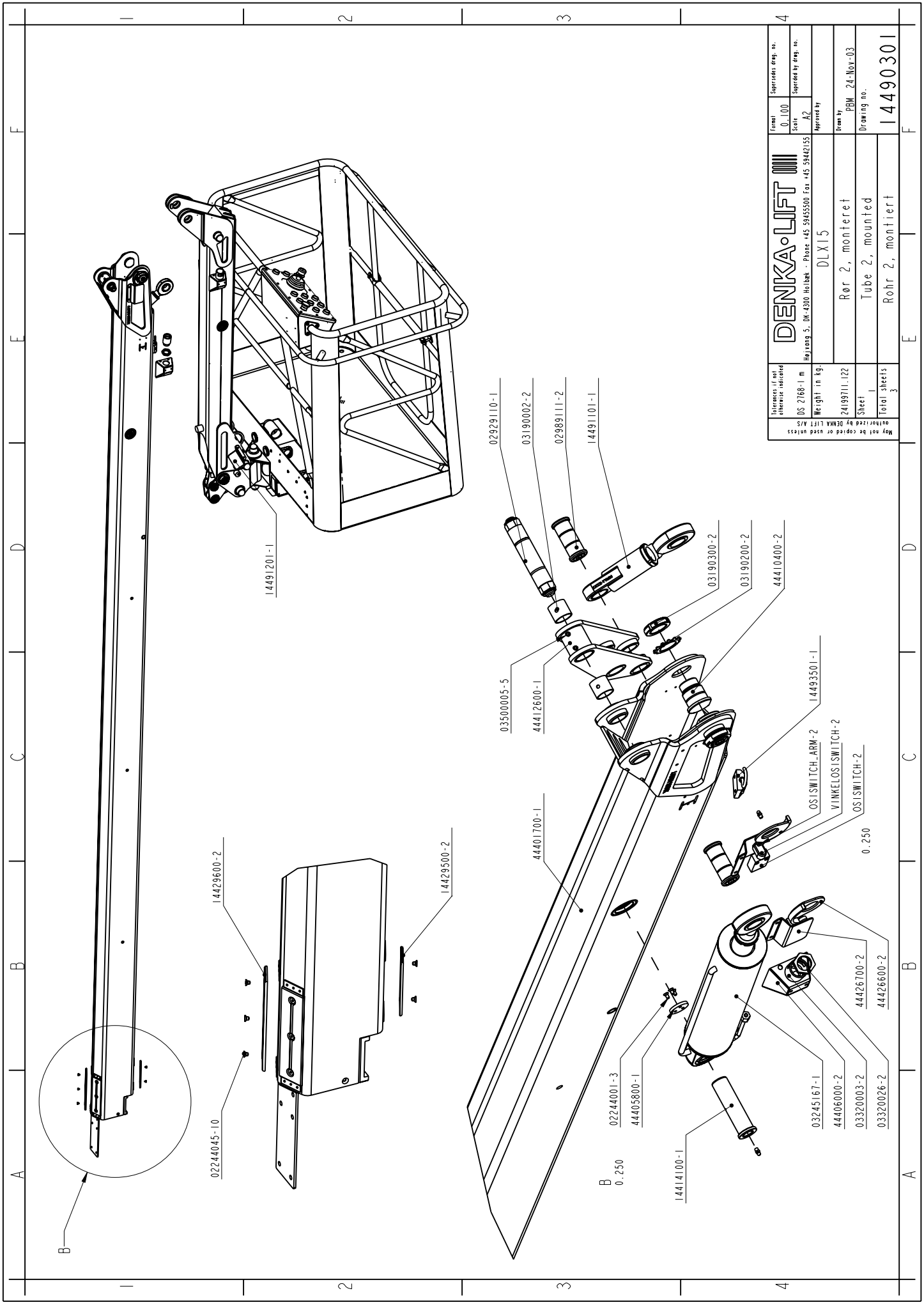
**SPARE PARTS  
CATALOGUE**

**ERSATZTEILS-  
KATALOG**



**BOM  
BOOM  
AUSLEGER**

Version – 12.2004



Tolerances (if not otherwise indicated) DS 2168-1 m Mojskova 5, DK-4200 Høstede - Phone +45 59455500 Fax +45 59442155	Formel 0.100 Scale	Supersedes drawing no. A22 Superseded by drawing no.
Weight in kg. 24199711.022 Sheet	Approved by DLX15	Drawn by PBM 24-Nov-03 Drawing no.
Authorized by DENKA LIFT A/S	Total sheets 3	14490301

B

02244045-10

14429600-2

14429500-2

14491201-1

02244001-3  
0.250

44405800-1

14414100-1

03245167-1

44406000-2

03320003-2

03320026-2

44401700-1

03500005-5

44412600-1

02929110-1

03190002-2

02989111-2

14491101-1

03190300-2

03190200-2

44410400-2

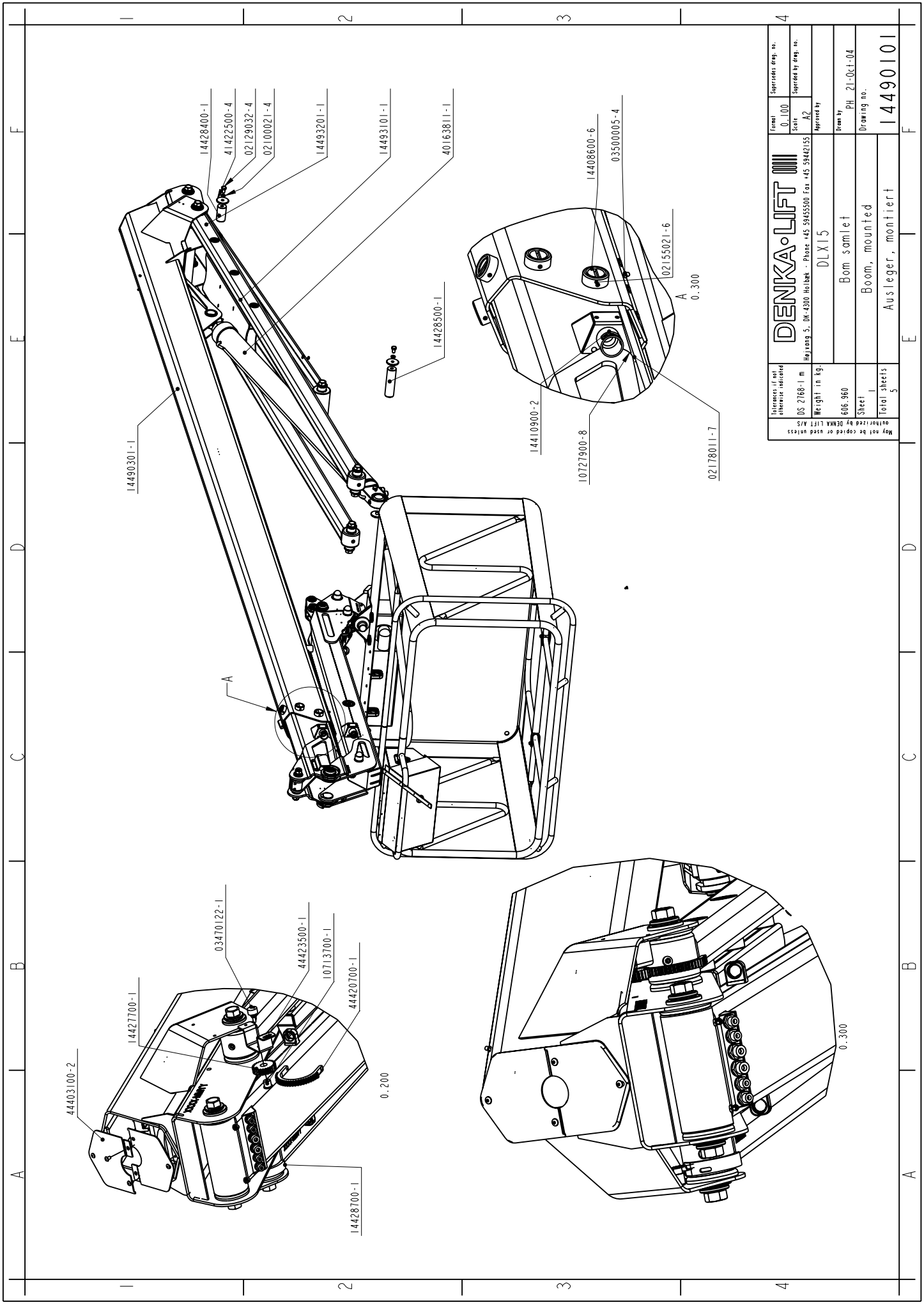
14493350-1

OSI SWITCH-ARM-2

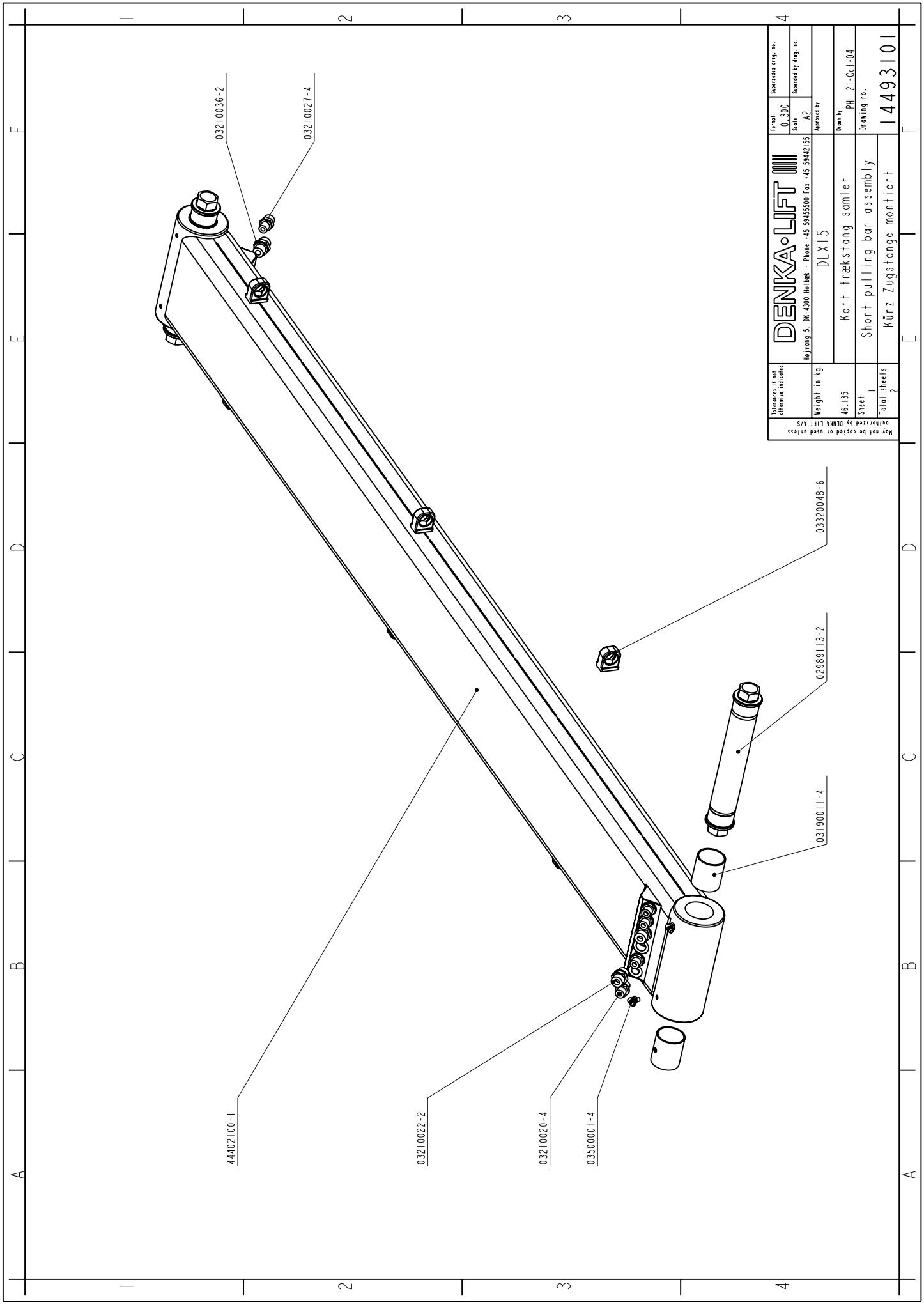
VINKEL OSI SWITCH-2

OSI SWITCH-2

0.250

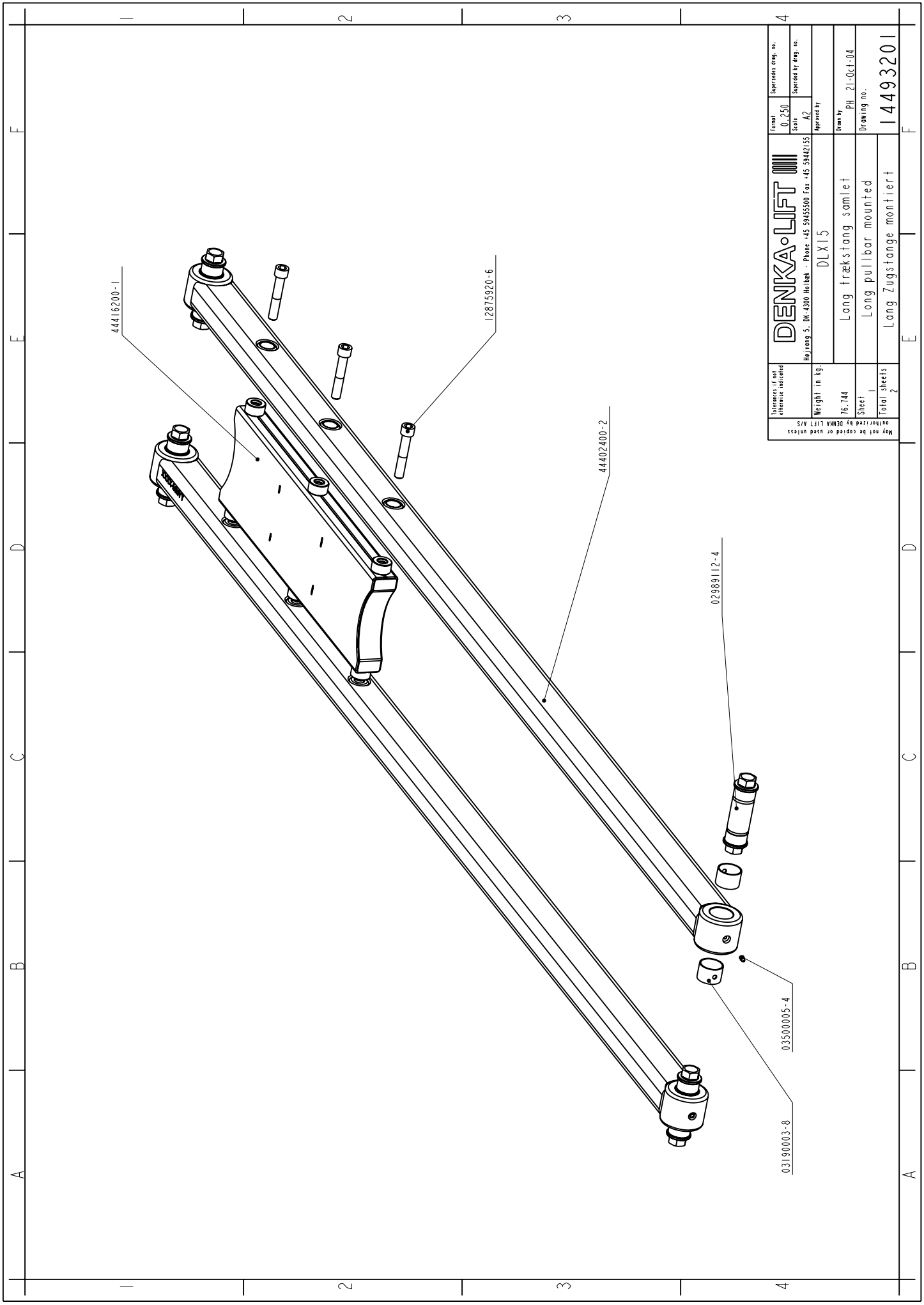


<b>DENKA-LIFT</b> <small>Hoijman 5, DK-4200 Hvideb. - Phone +45 59455500 Fax +45 59442155</small>		<small>Formel</small> 0.100	<small>Supersedes drawing no.</small> 14490101
<small>Scale</small> A2		<small>Supersedes by drawing no.</small> PH 21-01-04	
<small>Weight in kg.</small> 606.560		<small>Approved by</small> DLX15	
<small>Sheet</small> 1		<small>Drawn by</small> PH 21-01-04	
<small>Total sheets</small> 5		<small>Drawing no.</small> 14490101	
<small>May not be copied or used unless authorized by DENKA LIFT A/S</small>		<small>Boom, mounted</small> Ausleger, montiert	



Dimensions if not otherwise indicated	Weight in kg:			Formel	Supersedes drawing no.
May not be copied or used unless authorized by DENKA LIFT A/S	46.135	Hojvang 5, DK-4300 Hvidebæk - Phone +45 59455500 Fax +45 59442155		0_300	03210036-2
	Sheet 1	DLX15		Scale	Supersedes by drawing no.
	Total sheets 2	Kort frækstang samlet		A2	
		Short pulling bar assembly		Approved by	
		Kürz Zugstange montiert		Drawn by	PH_21-01-04
				Drawing no.	14493101





Dimensions if not otherwise indicated	Formel	Supersedes drawing no.
Weight in kg:	0.250	Supersedes by drawing no.
	Scale	
	A2	
	Approved by	
	DLX15	
May not be copied or used unless authorized by DENKA LIFT A/S	<b>DENKA-LIFT</b> Højvang 5, DK-4300 Hvidebø - Phone +45 59455500 Fax +45 59442155	
	Lang træstang samlet Long pulibar mounted	
	Drawn by PH 21-01-04 Drawing no.	
	Total sheets 2 Long Zugstange montiert 14493201	

44416200-1

12875820-6

44402400-2

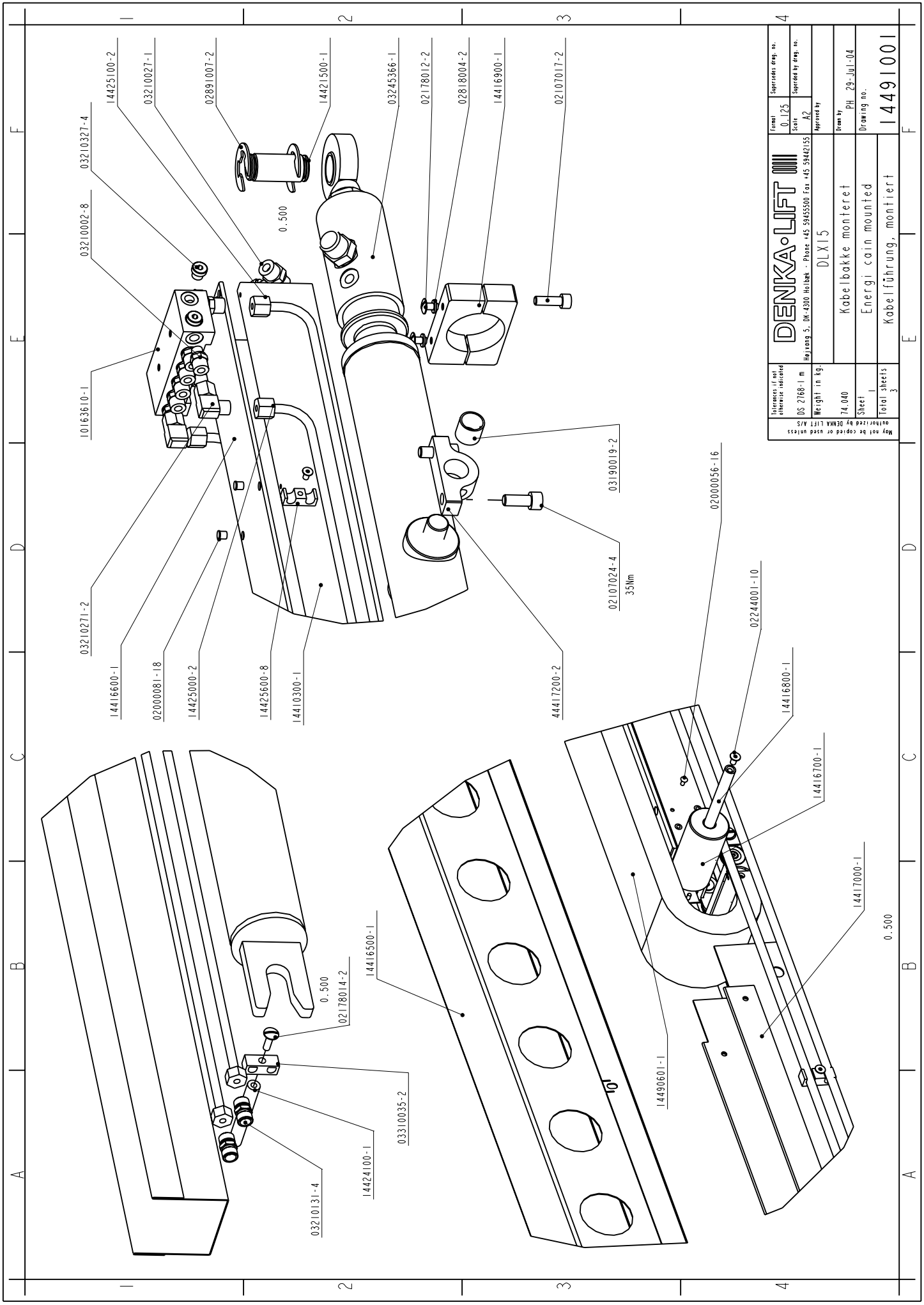
02989112-4

03500005-4

03190003-8

A B C D E F

1 2 3 4



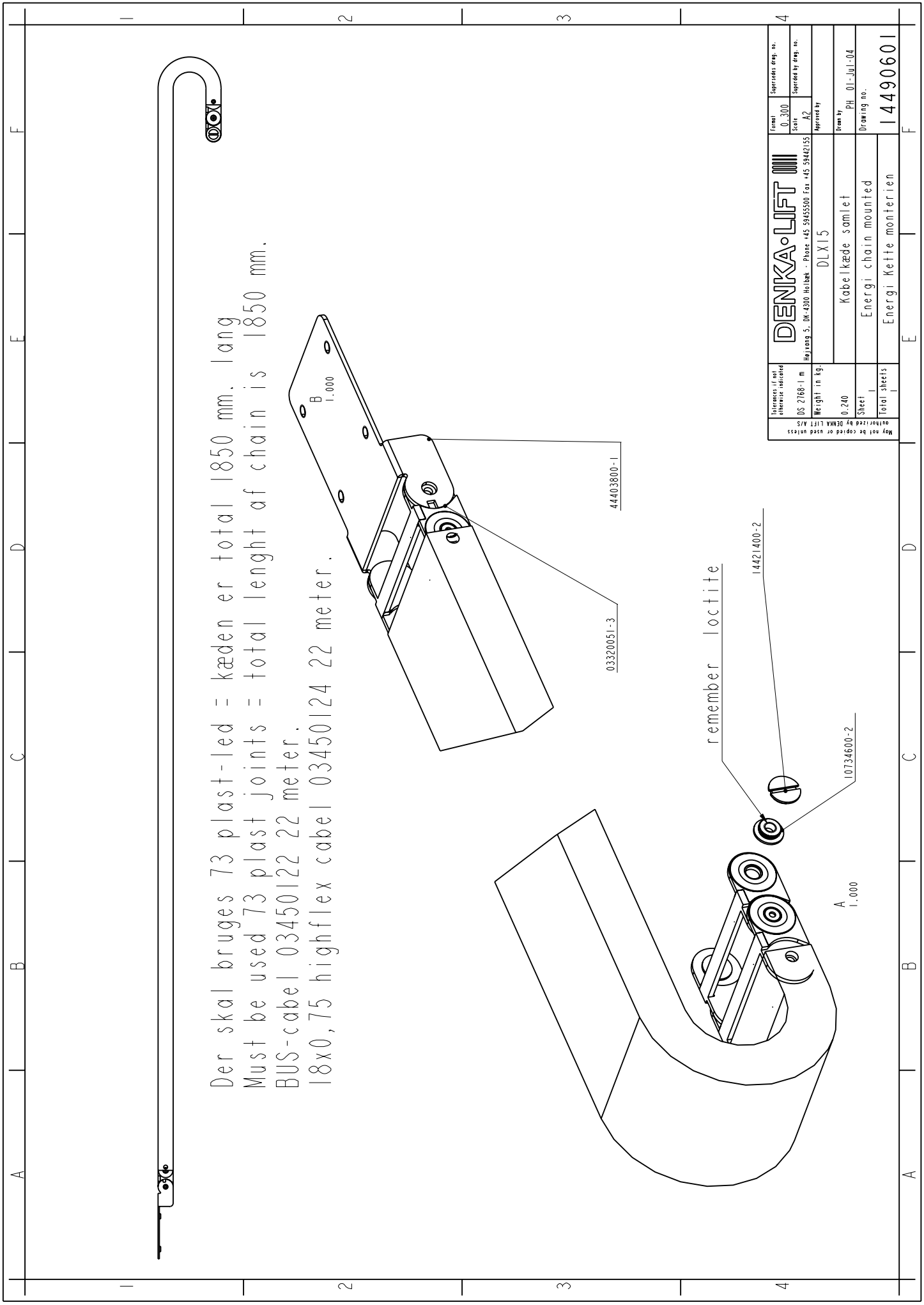
Tolerances if not otherwise indicated	Formel	Supersedes drawing no.
	DS 2168-1 m	0.125
Weight in kg	Scale	Supersedes by drawing no.
	74.040	A2
Sheet	Approved by	
1	DLX15	
Total sheets	Drawn by	
3	PH 29-Juli-04	
	Drawing no.	
	14491001	

**DENKA-LIFT**

Kabelbake monteret  
Energi cain mounted  
Kabelführung, montiert

Wojciesz 5, DK-4300 Halsbek - Phone +45 59455500 Fax +45 59442155

0.500



Der skal bruges 73 plast-led = kæden er total 1850 mm. lang  
 Must be used 73 plast joints = total length of chain is 1850 mm.  
 BUS-cabel 03450122 22 meter.  
 18x0,75 highflex cabel 03450124 22 meter.

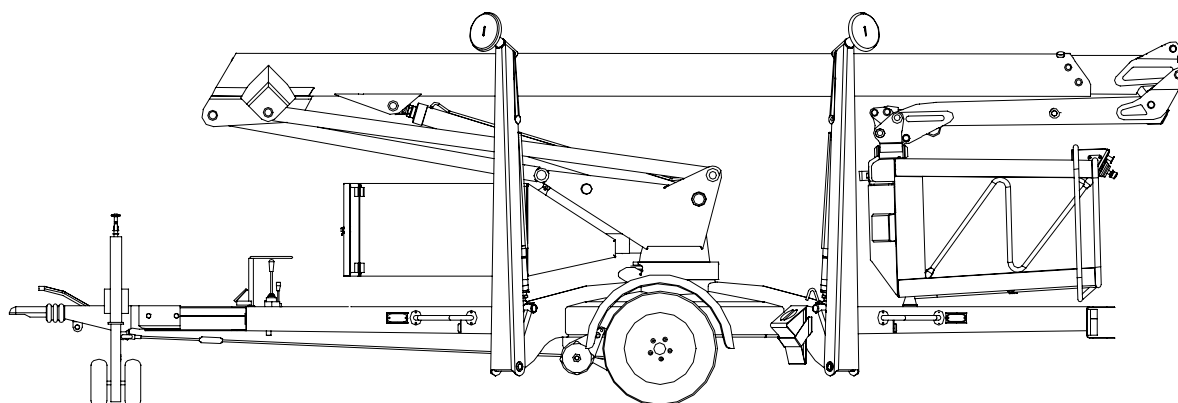
Dimensions if not otherwise indicated			Formel	Supersedes drawing no.
DS 2169-1 m	Højvang 5, DK-4300 Hvideb. - Phone +45 59455500 Fax +45 59421535		0_300	0_300
Weight in kg.	DLX15		Scale	A2
0.240	Kabelkæde samlet		Approved by	
Sheet	Energi chain mounted		Drawn by	PH 01-Jul-04
Total sheets	Energi Kette monterien		Drawing no.	14490601
May not be copied or used unless authorized by DENKA LIFT A/S				



**RESERVEDELS-  
KATALOG**

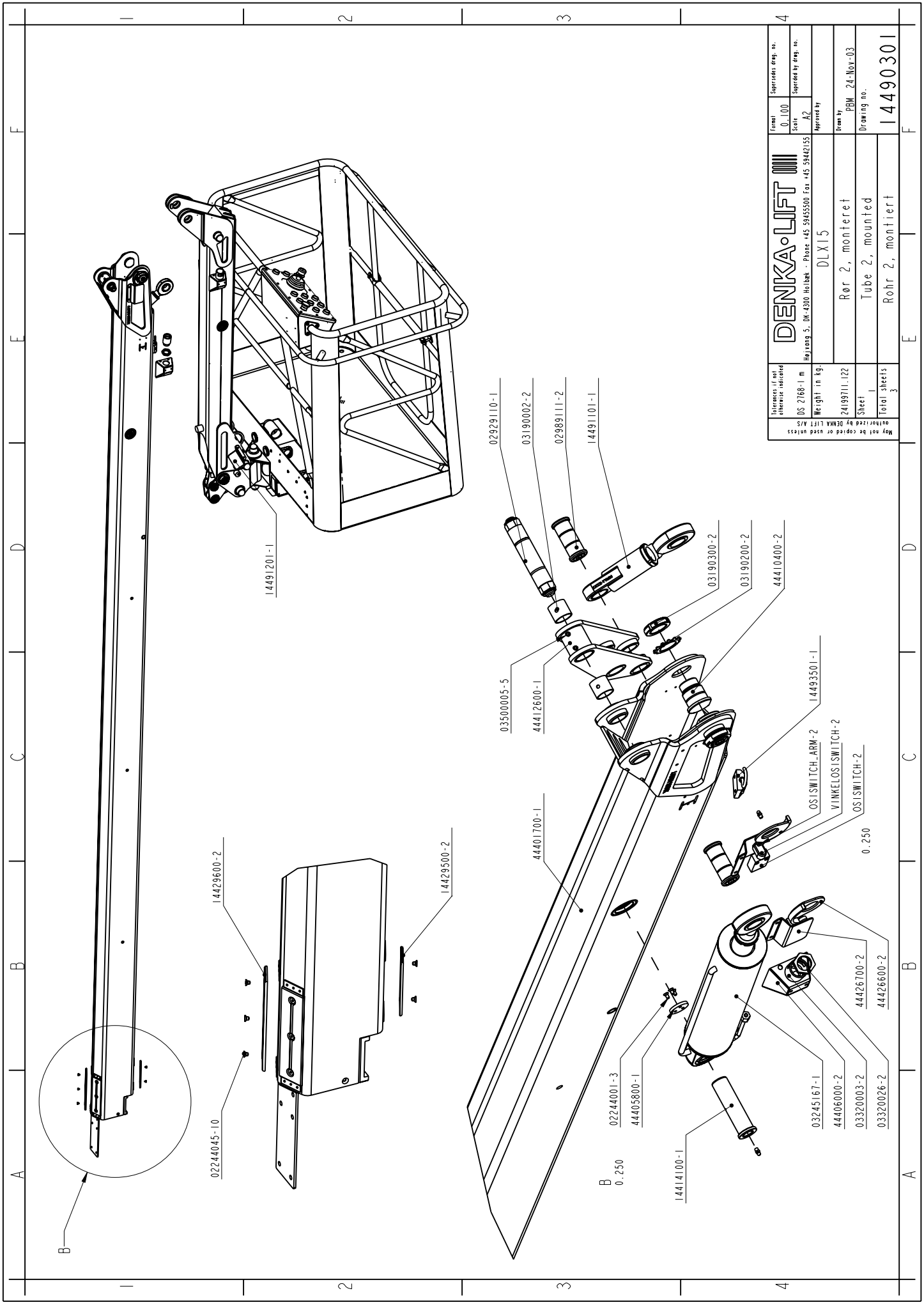
**SPARE PARTS  
CATALOGUE**

**ERSATZTEILS-  
KATALOG**

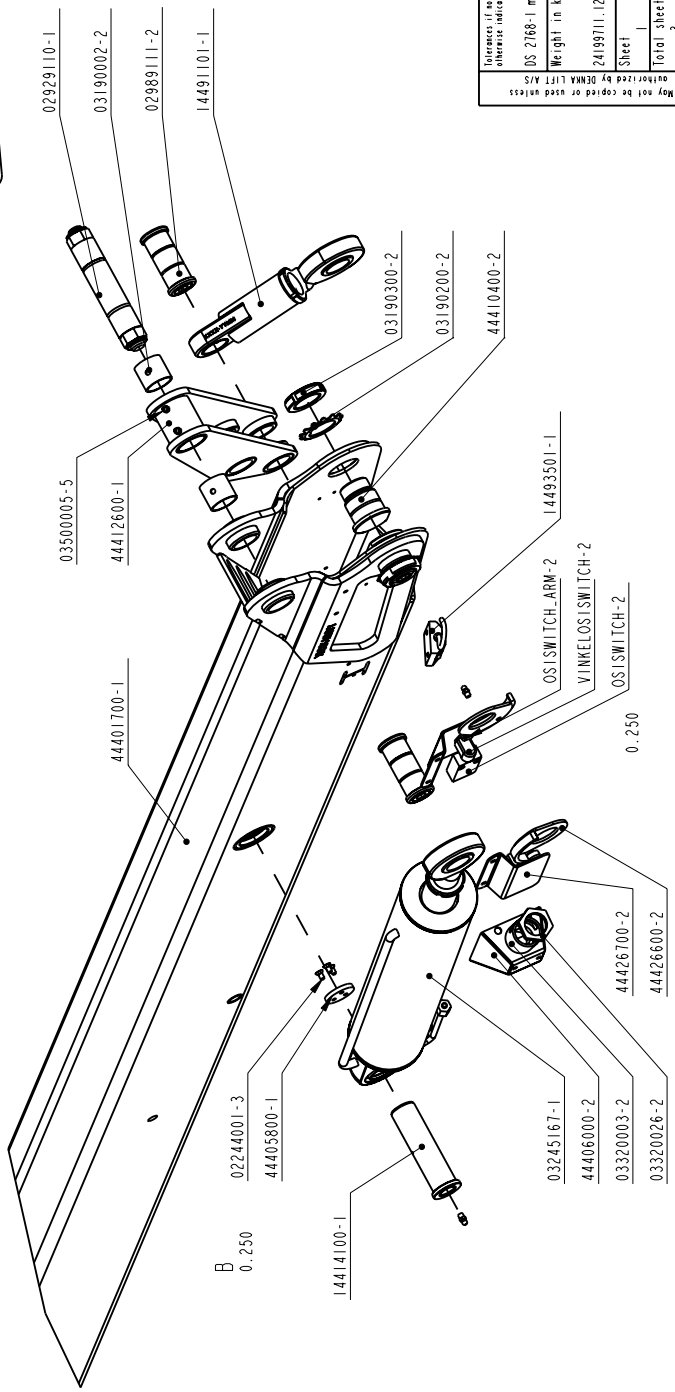
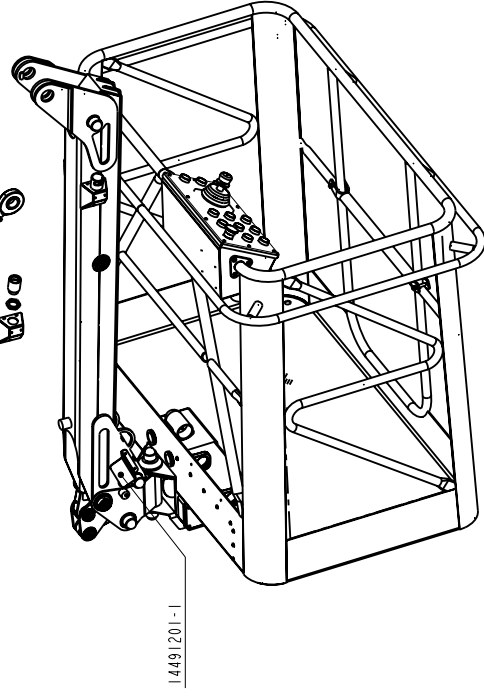
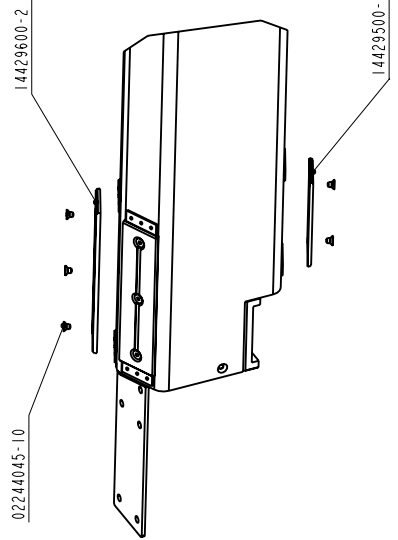
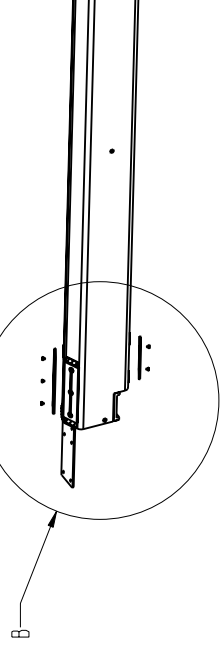


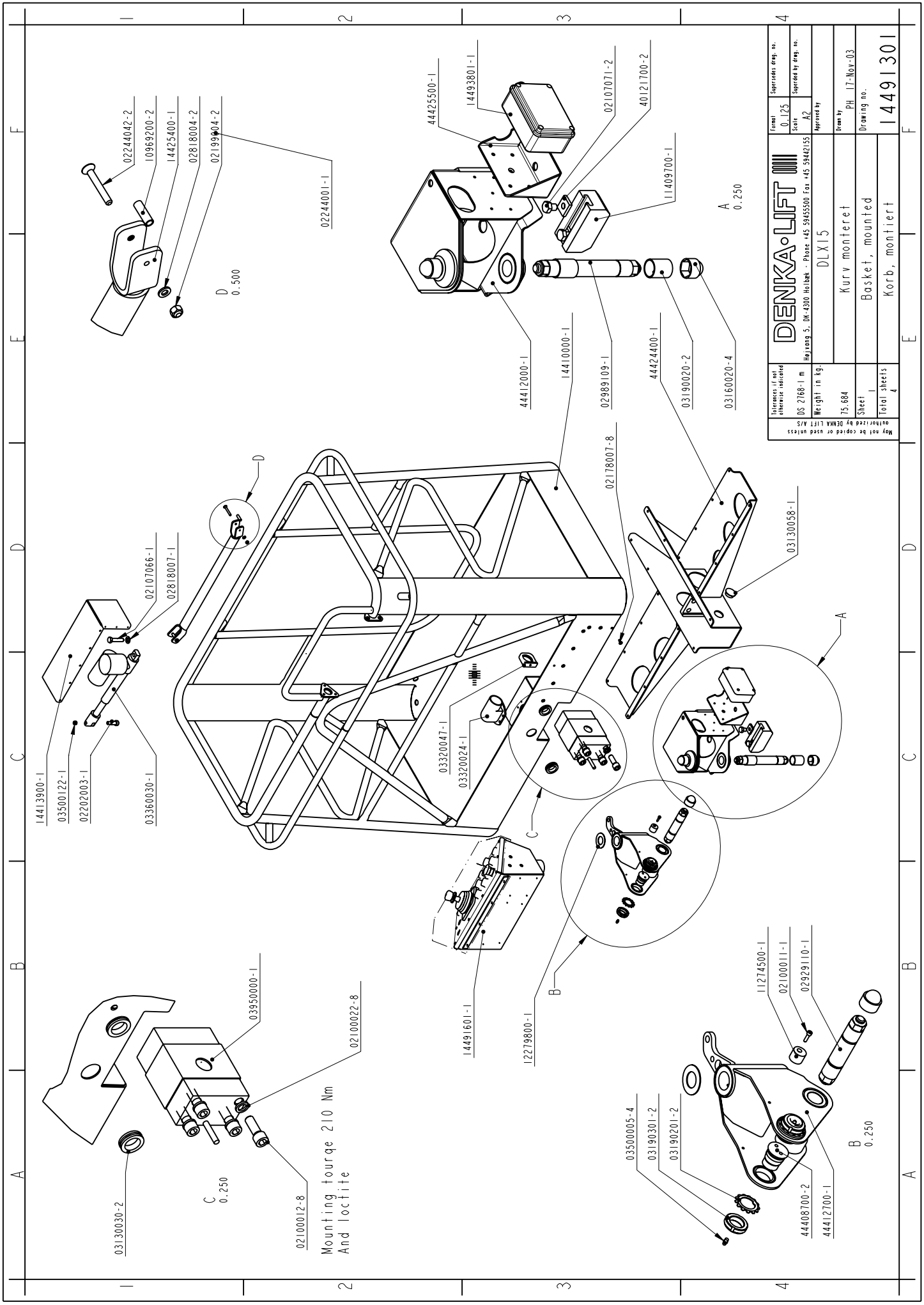
**KURV  
BASKET  
KORB**

Version – 12.2004

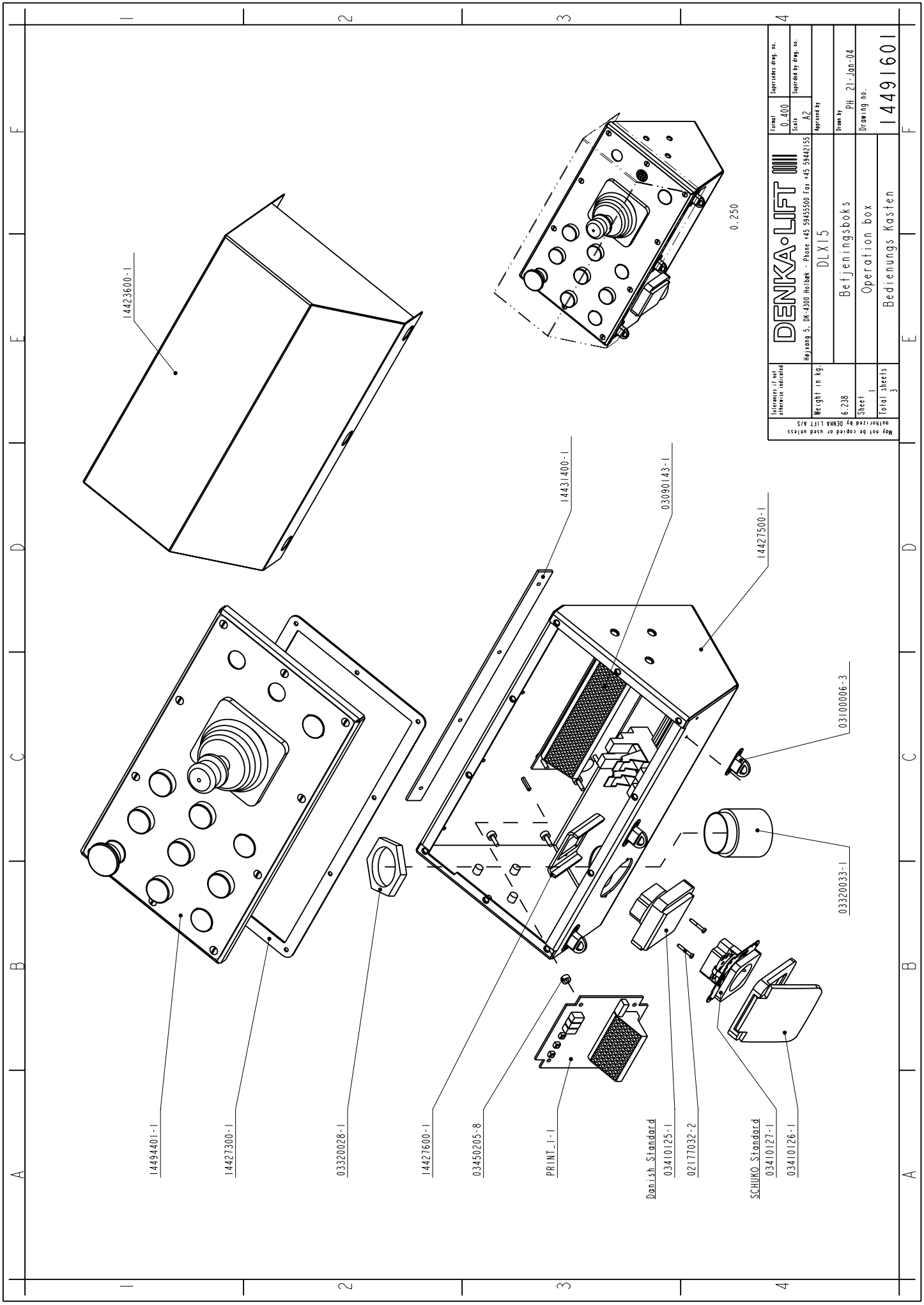


Tolerances (if not otherwise indicated) DS 2168-1 m Weight in kg 24199711.02 Sheet 1 Total sheets 3 Authorized by DENKA LIFT A/S	<b>DENKA-LIFT</b> DLX15 Rør 2, monteret Tube 2, mounted Rohr 2, montiert	Formel 0.100 Scale A2 Approved by Drawn by PBM 24-Nov-03 Drawing no. 14490301	Supersedes drawing no. Supersedes by drawing no.
--	--	---	---





<b>DENKA-LIFT</b> <small>Denka-Lift s.r.l. - Via S. Maria 5, DK-4300-Italy - Phone +45 59455500 Fax +45 59442155</small>	Serial 0.125 Scale A2 Superseded by des. no. Approved by DLX15
Differences if not otherwise indicated DS 2168-1 m Weight in kg 75.684 Sheet Total sheets 4	Drawn by PH 17-May-03 Drawing no. <b>14491301</b>
May not be copied or used unless authorized by DENKA LIFT A/S	



14423600-1

14494401-1

14427300-1

03320028-1

14427600-1

03450205-8

PRINT-1-1

Doni.sh Standard

03410125-1

02177032-2

SCHUKO Standard

03410121-1

03410126-1

14431400-1

03090143-1

14427500-1

03320033-1

03100006-3

0.250

Tolerances (if not otherwise indicated)	Formal	Supersedes drawing no.
	0.400	
Scale	1:2	Supersedes by drawing no.
	A2	
Approved by		
Weight in kg		DLX15
6.238		Bedienungsbox
Sheet		Operation box
Total sheets		Bedienungs Kasten
		14491601

**DENKA-LIFT**

Mojevac 5, DM-4300 Heubak - Phone +45 59455500 Fax +45 59442155

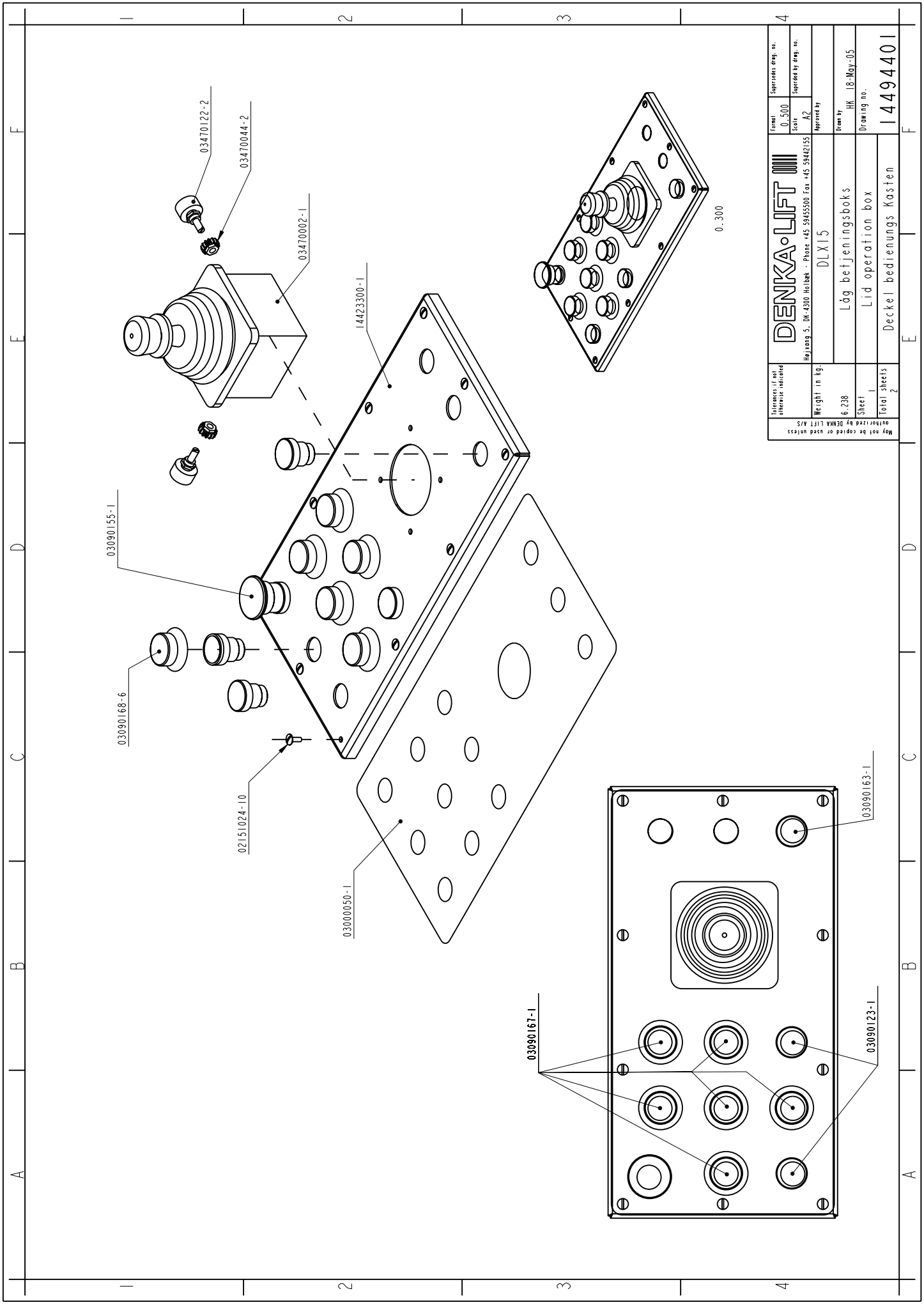
Drawn by PH 21-Jan-04

Drawing no.

14491601

May not be copied or used unless authorized by DENKA LIFT A/S

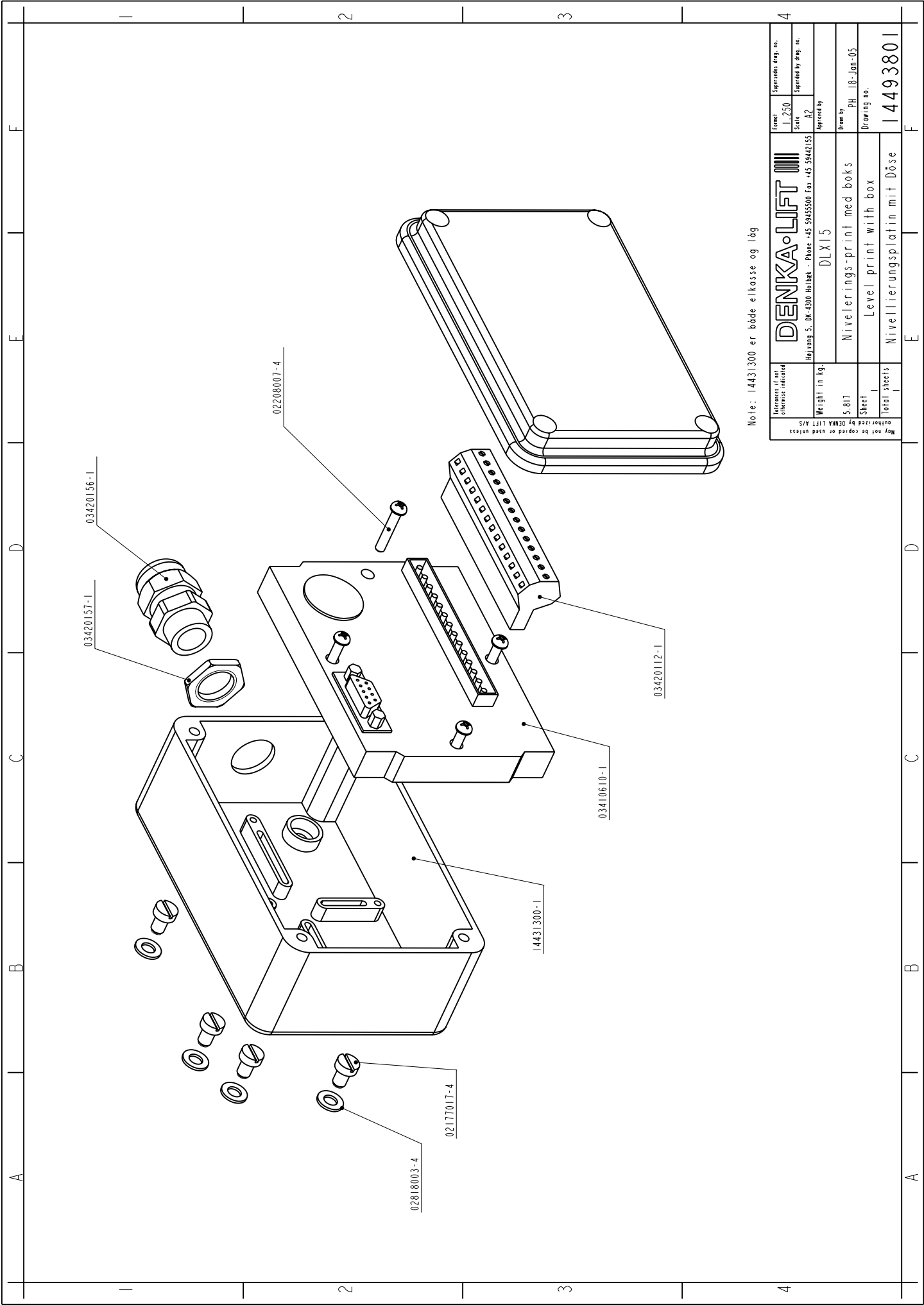




Tolerances if not otherwise indicated	Formel	Supersedes drawing no.
	Scale	Superseded by drawing no.
Weight in kg	Approved by	
	DLX15	
Sheet	Drawn by	
	HK 18-May-05	
Total sheets	Drawing no.	
	14494401	

DENKA-LIFT  
 Højvang 5, DK-4300 Hvidebø - Phone +45 59455500 Fax +45 59442155  
 Læg betjeningsboks  
 Lid operation box  
 Deckel bedienungs Kasten

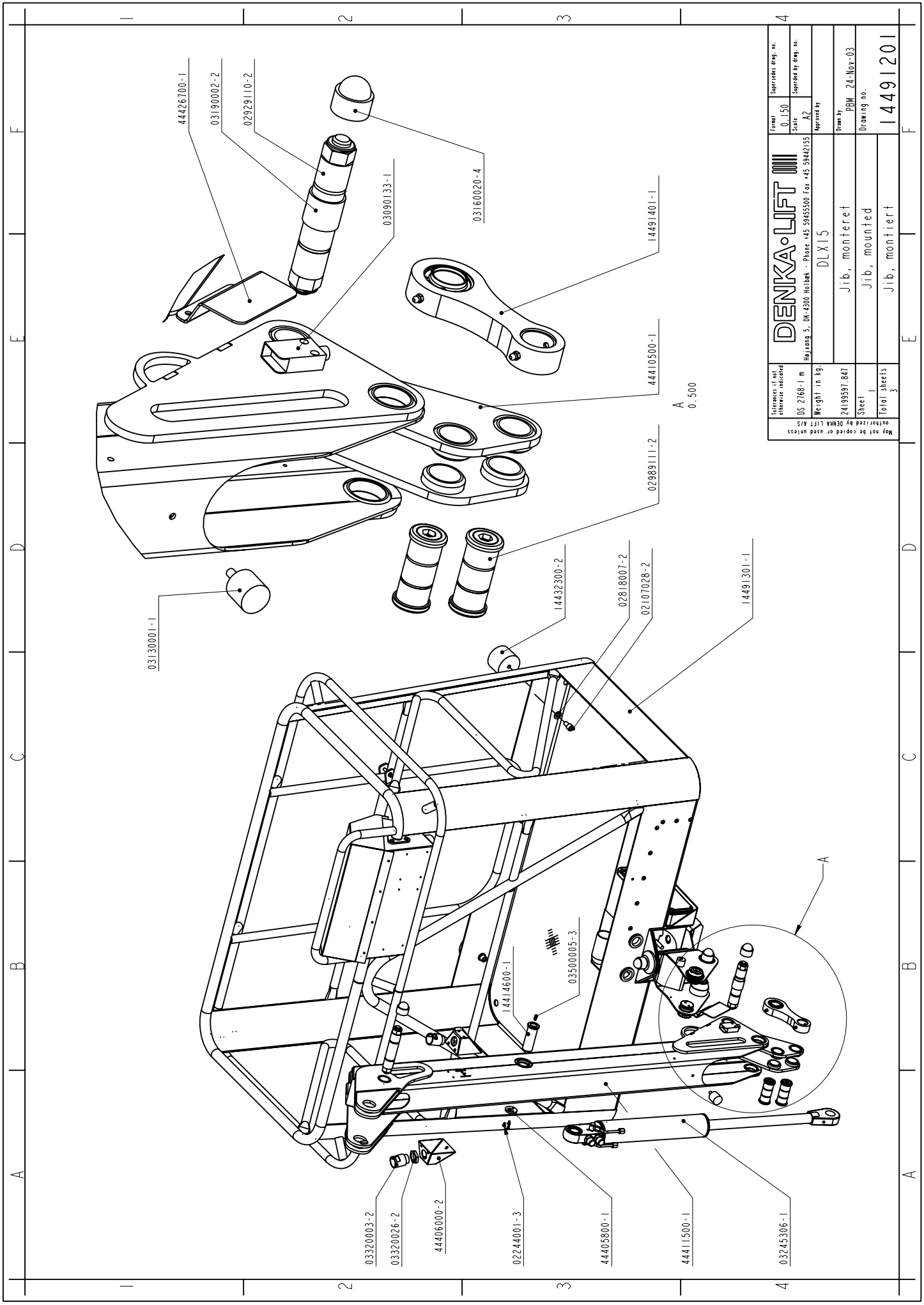
May not be copied or used unless authorized by DENKA LIFT A/S  
 0.300



Note: 14431300 er både elkasse og låg

Dimensions (if not otherwise indicated)	Format	Supersedes drawing no.	4
	1:250		
	Scale	Supersedes by drawing no.	
	A2		
Weight (in kg)	Approved by		
5.817	DLX15		
Sheet	Drawn by		
	PH 18-Jan-05		
Total sheets	Drawing no.		
1	Level print with box		
	Nivelleringsplatin mit Dose		
	14493801		

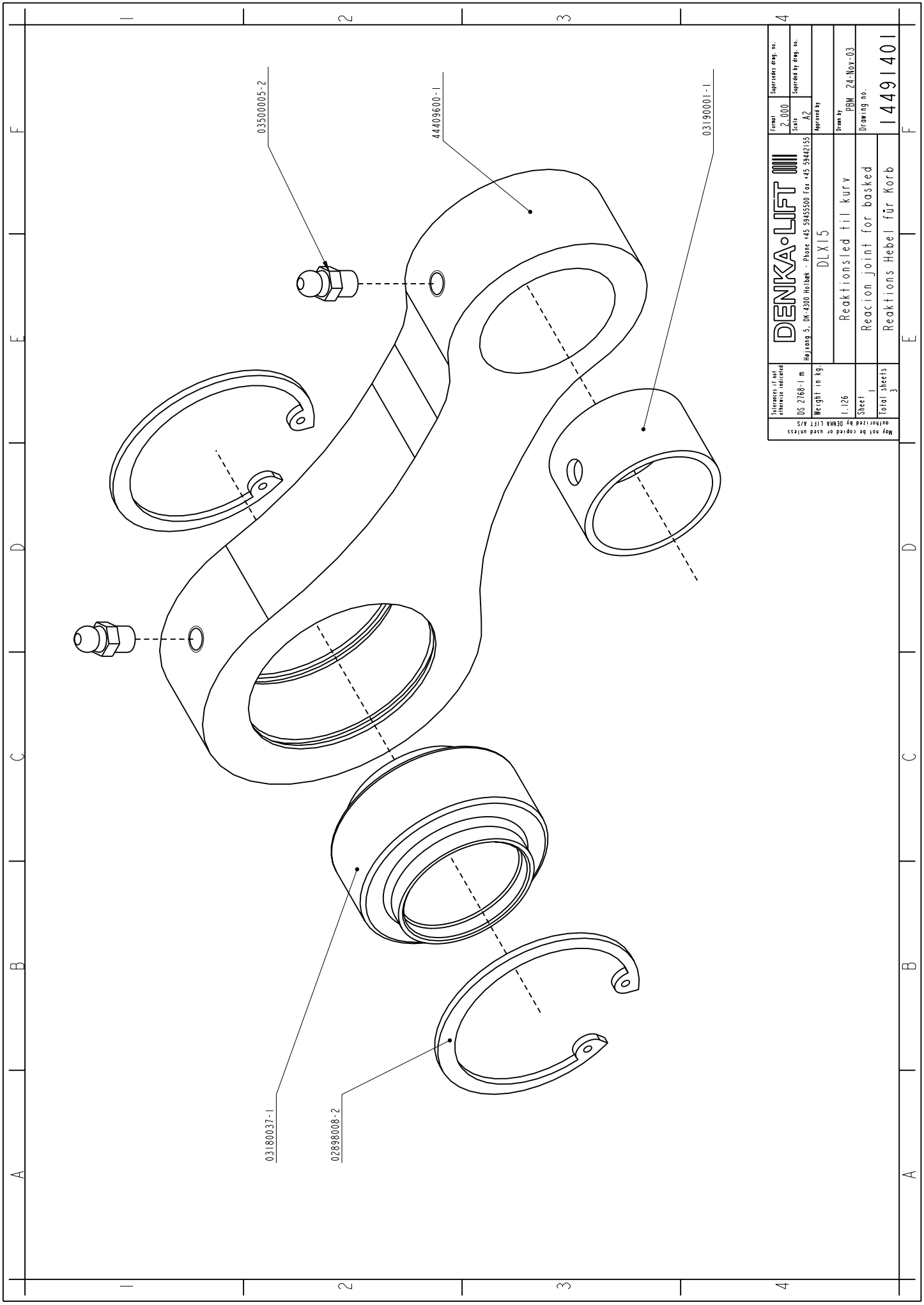
May not be copied or used unless authorized by DENKA LIFT A/S



Tolerances (if not otherwise indicated)	Formel	Supersedes drawing no.
	DS 2168-1 m	0.150
Weight in kg:	Scale	Supersedes by drawing no.
	24195597.847	A2
Weight in kg:	Approved by	
DLX15	PBM 24-Nov-03	
24195597.847	Drawing no.	
Sheet	14491201	
Total sheets	3	

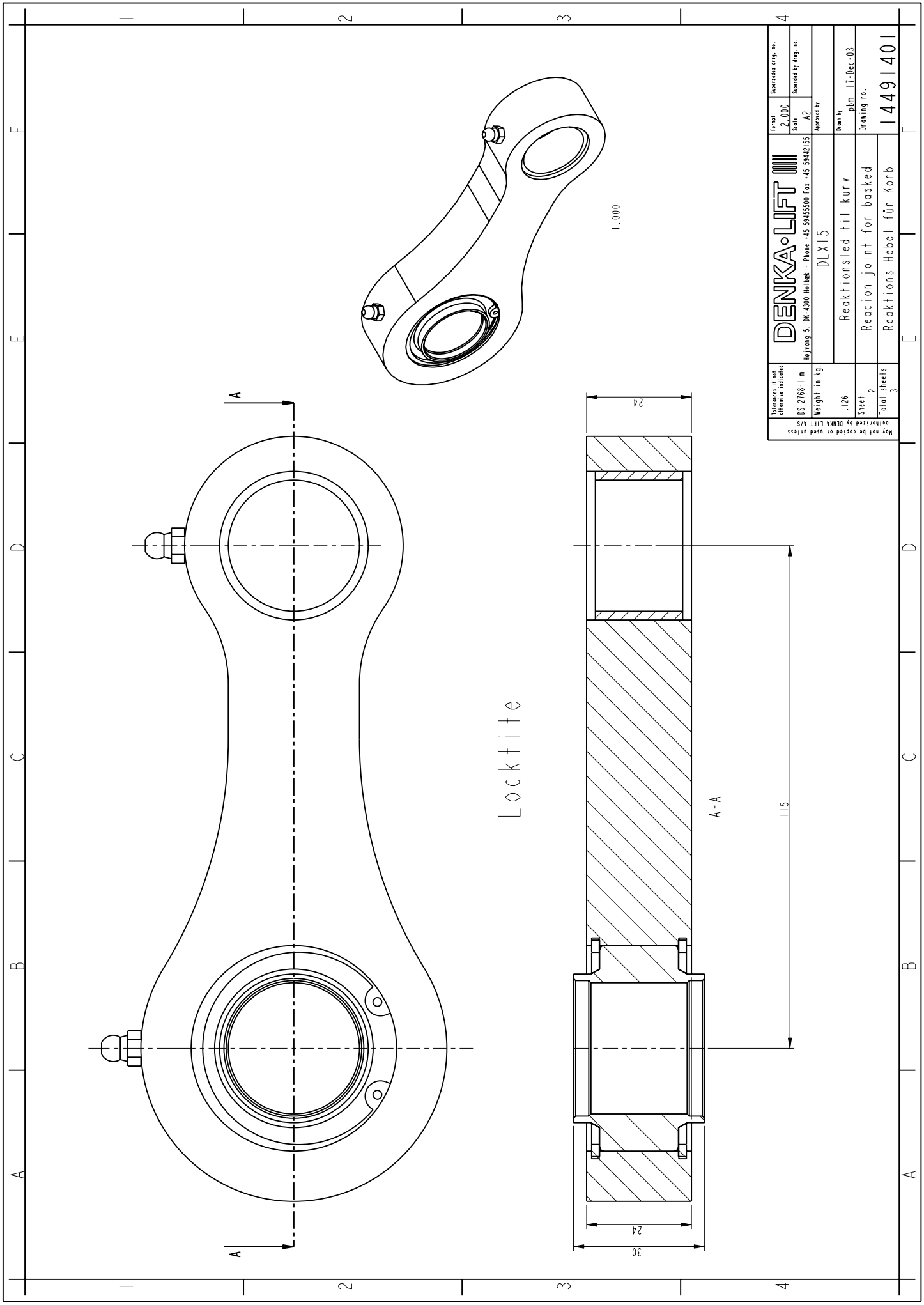
DENKA-LIFT  
 Hojrup 5, DK-4300 Hvidebæk - Phone +45 59455500 Fax +45 59442155  
 DLX15  
 Jib, monteret  
 Jib, mounted  
 Jib, montiert

May not be copied or used unless authorized by DENKA LIFT A/S



Tolerances (if not otherwise indicated) DS 2168-1 m Weight in kg:	<b>DENKA-LIFT</b> Holzmang. 5. DM-4200 Hebel - Phone +45 59455500 Fax +45 59442155 DLX15	Format: 2,000 Scale: A2 Supersedes drawing no.: Approved by:	4
Sheet 1 Total sheets 3	Reaktionsstiel für Korb Reaction joint for basket Reaktions Hebel für Korb	Drawn by: PBM 24-Nov-03 Drawing no.: 14491401	

May not be copied or used unless authorized by DENKA LIFT A/S



A B C D E F

1 2 3 4

Locktite

1.000

24

115

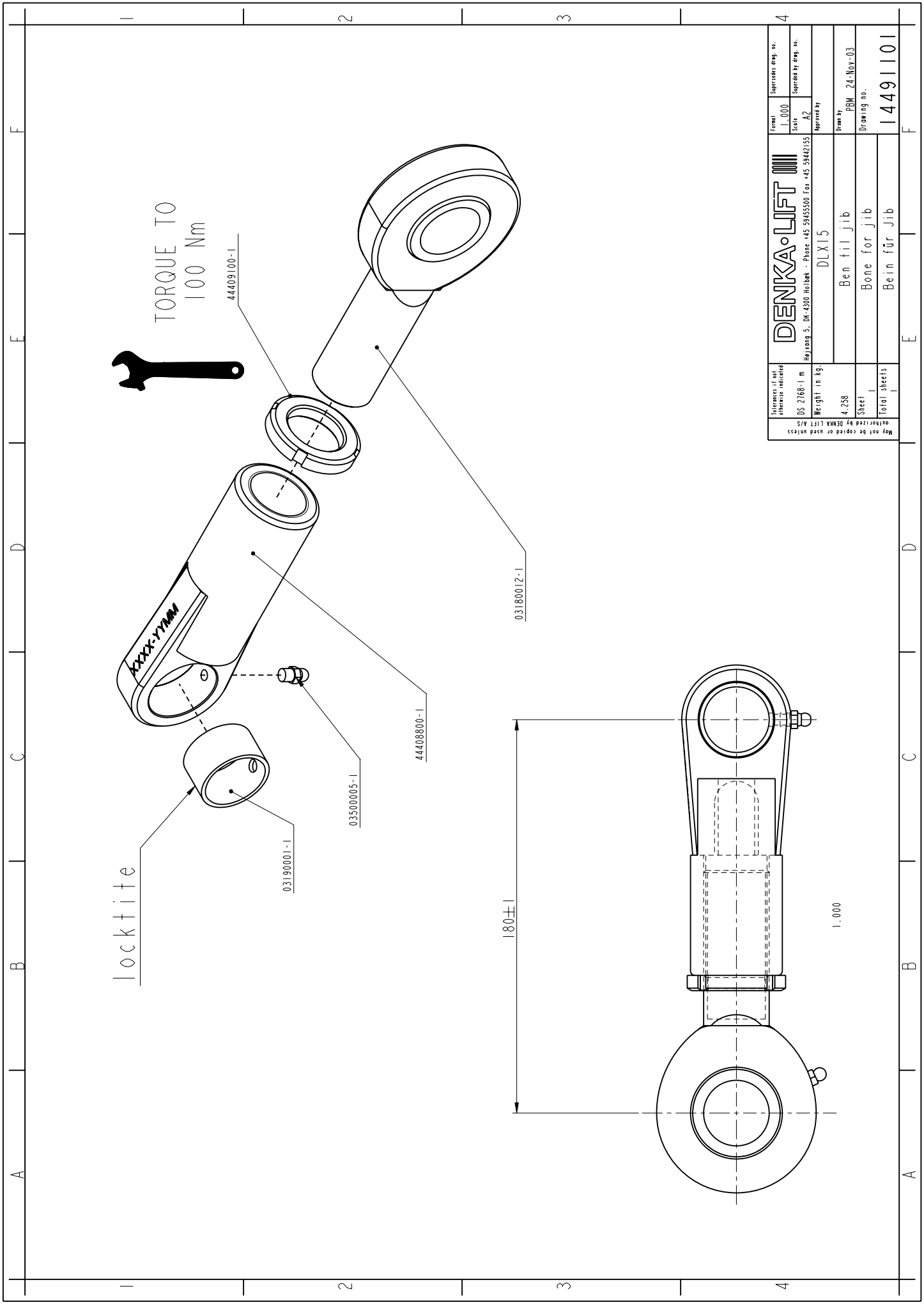
A-A

24

30

Dimensions (if not otherwise indicated)	DS 2169-1 m	Mojevac 5, DK-4300 Hørbæk - Phone +45 59455500 Fax +45 59442155	Formel 2.000	Supersedes drawing no.
Weight in kg:	1.126	DLX15	Scale A2	Supersedes by drawing no.
Sheet	2	Reaktionsstiel für Korb	Approved by	
Total sheets	3	Reaction joint for basket	Drawn by	pblm 17-Dec-03
		Reaktions Hebel für Korb	Drawing no.	14491401

May not be copied or used unless authorized by DENKA LIFT A/S



locktite

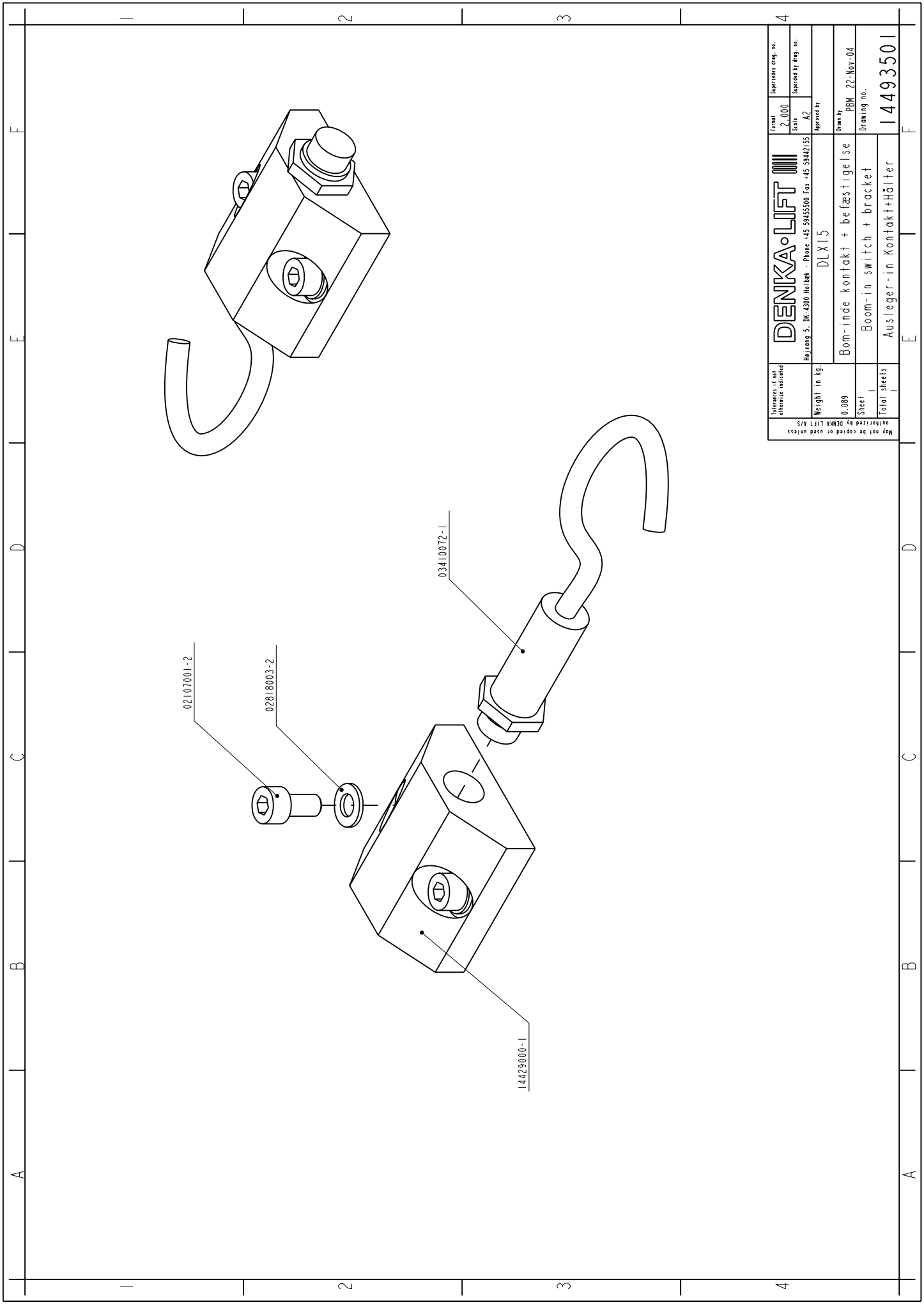
TORQUE TO  
100 Nm

180 ± 1

Dimensions (if not otherwise indicated)	DS 2169-1 m	Weight in kg	4.258	Sheet	1	Total sheets	1
Formel	1.000	Scale	A2	Approved by			
Supersedes drawing no.							
Supersedes by drawing no.							
<b>DENKA-LIFT</b>							
No. 10000 5. DM-4300 Hebel - Phone +45 59455500 Fax +45 59442155							
DLX15							
Ben til jib							
Bone for jib							
Bein für jib							
14491101							

1.000

May not be copied or used unless authorized by DENKA LIFT A/S



Dimensions (if not otherwise indicated)			Formel 2.000	Supersedes drawing no.
Weight in kg. 0.089	Mojmang 5, DM-4300 Habak - Phone +45 59455500 Fax +45 59442155 DLX15		Scale A2	Supersedes by drawing no.
Sheet	Bom-inde kontakt + befæstigelse Boom-in switch + bracket		Approved by	
Total sheets	Ausleger-in Kontakt+Halter		Drawn by PBM	22-Nov-04
			Drawing no.	14493501

May not be copied or used unless authorized by DENKA LIFT A/S

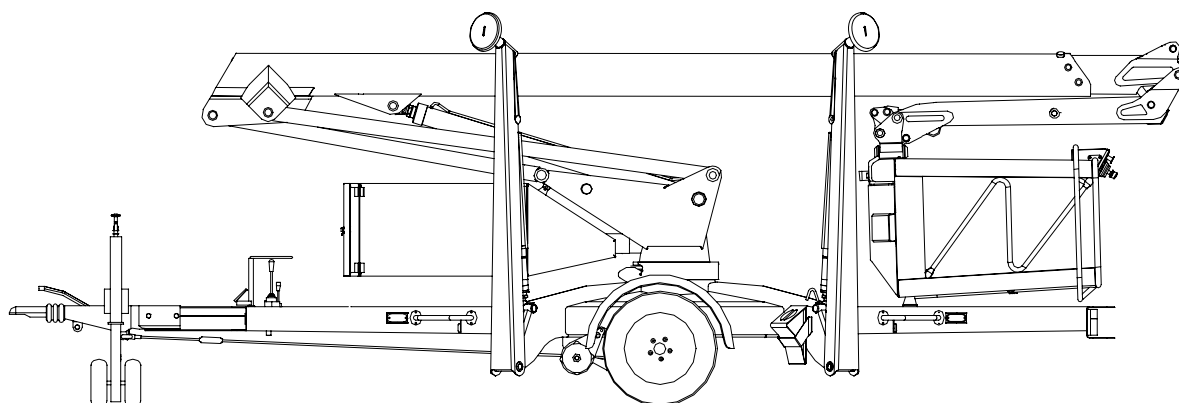




**RESERVEDELS-  
KATALOG**

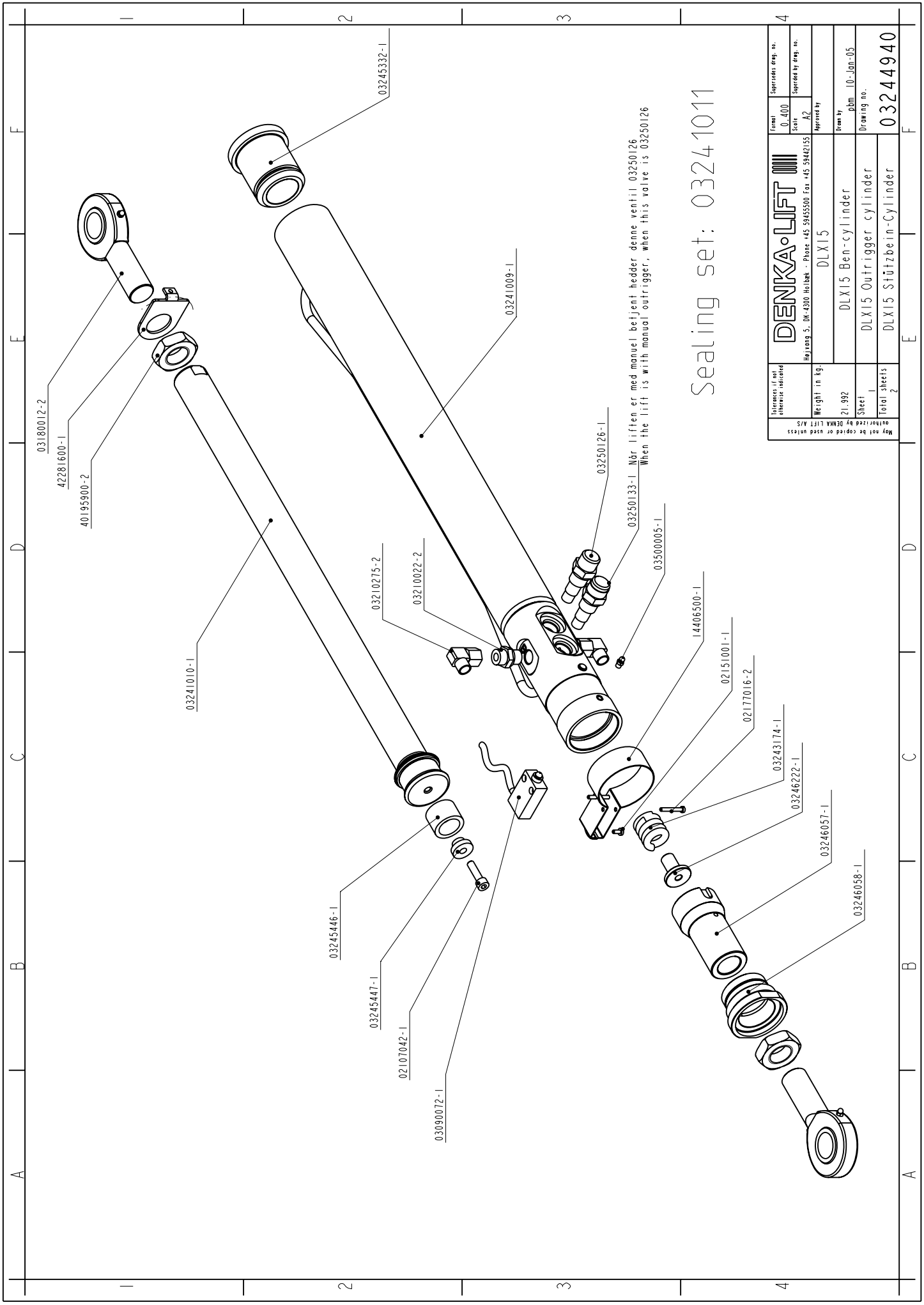
**SPARE PARTS  
CATALOGUE**

**ERSATZTEILS-  
KATALOG**



**CYLINDER  
ZYLINDER**

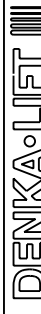
Version – 12.2004



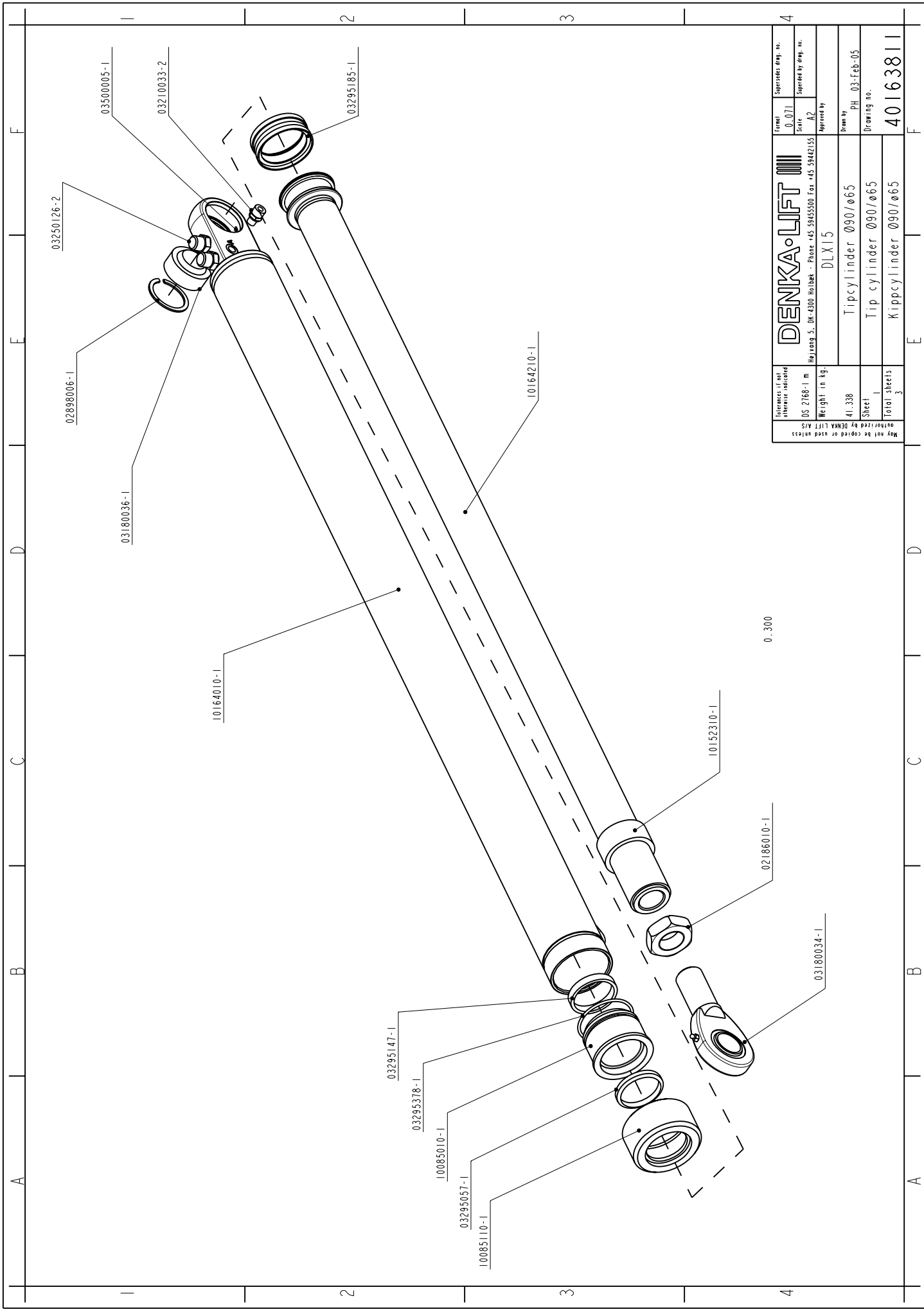
03250133-1 Når liften er med manuel betjent hedder denne ventil 03250126  
 When the lift is with manual outrigger, when this valve is 03250126

Sealing set: 03241011

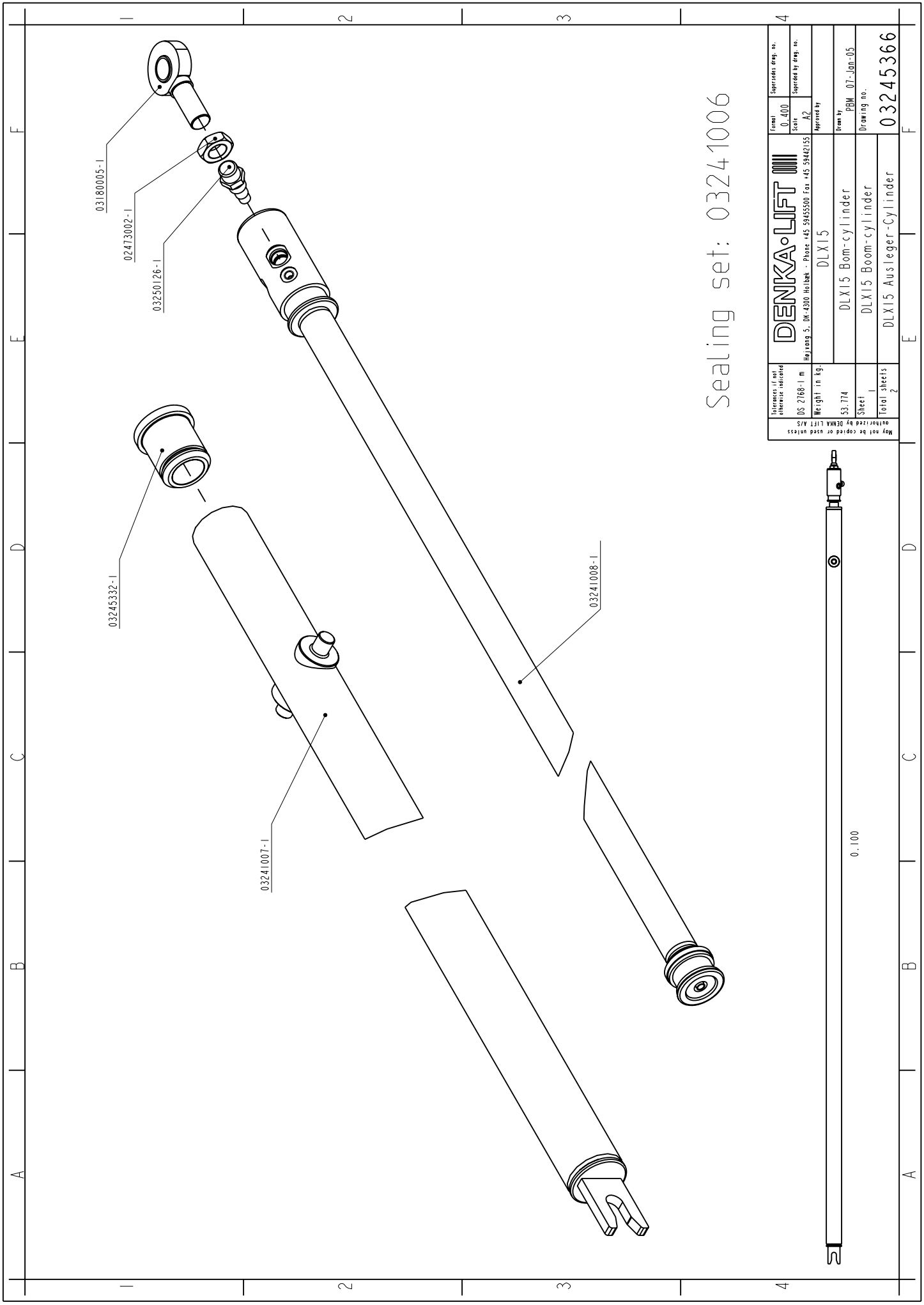
Tolerances if not otherwise indicated	Formel	Supersedes drawing no.
	Scale	Supersedes by drawing no.
Weight in kg	Approved by	
	DLX15	
21.992	Drawn by	
Sheet	pbm 10-Jan-05	
Total sheets	Drawing no.	
	DLX15 Outrigger cylinder	
authorized by DENKA LIFT A/S		03244940



No. 1000 5, DK-4300 Høbbek - Phone +45 59455500 Fax +45 59442155  
 DLX15 Ben-cylinder  
 DLX15 Stützbein-Cylinder

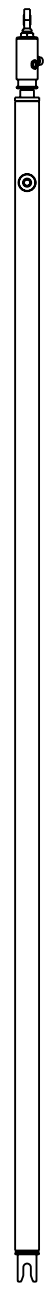


Tolerances (if not otherwise indicated) DS 2169-1 m Weight in kg: 41.338 Sheet 1 Total sheets 3 May not be copied or used unless authorized by DENKA LIFT A/S	<b>DENKA-LIFT</b> Holstang 5, DK-4300 Haslev - Phone +45 59455500 Fax +45 59442155 DLX15 Tipcylinder Ø90/Ø65 Tip cylinder Ø90/Ø65 Kippcylinder Ø90/Ø65	Formel 0.071 Scale A2 Approved by PHL Drawn by PHL Drawing no. 40163811	Supersedes drawing no. Supersedes by drawing no.
--	---	---	---

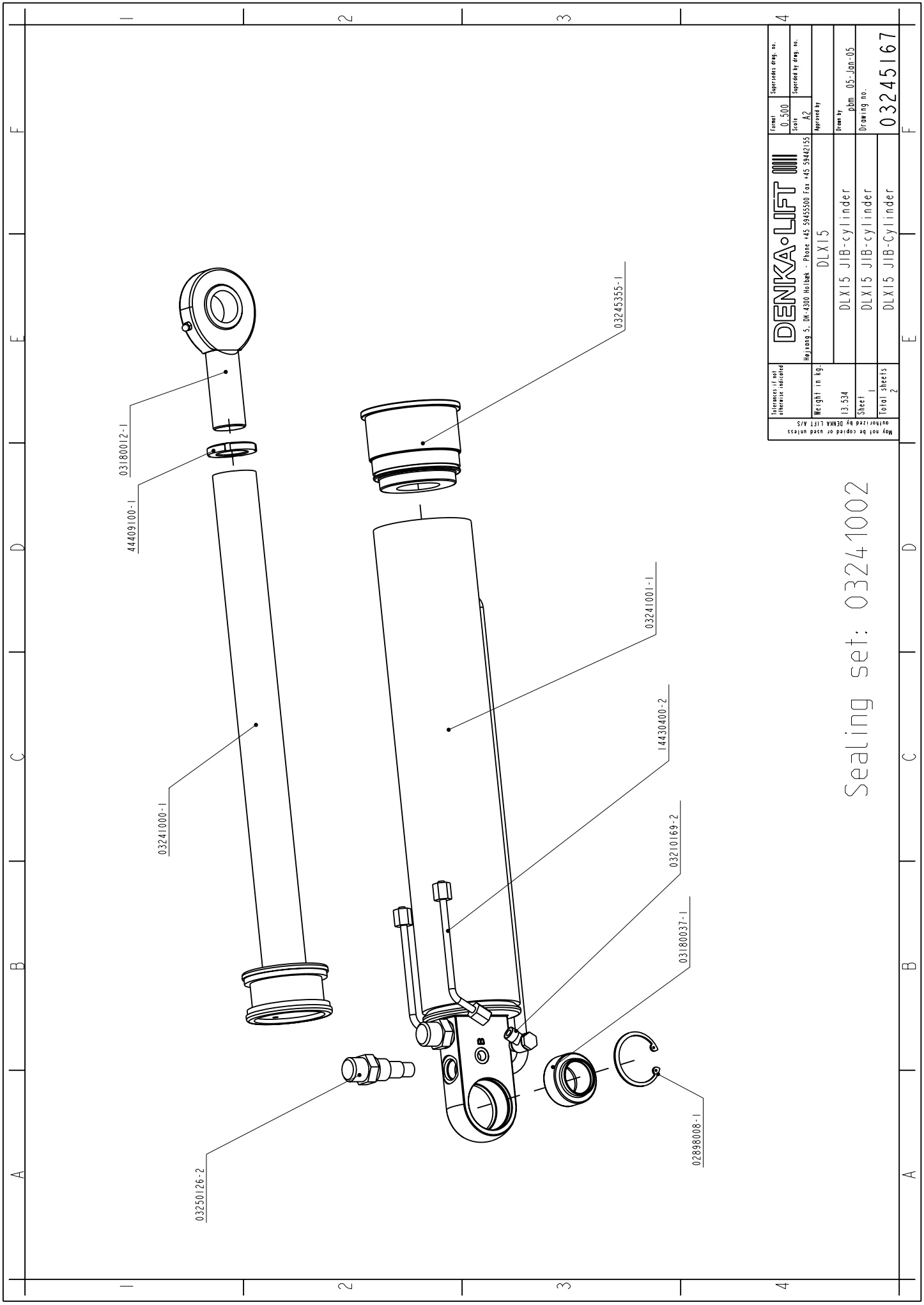


Sealing set: 03241006

Tolerances (if not otherwise indicated)	Formal	Supersedes drawing no.
	DS 2168-1 m	0.400
Weight in kg:	Scale	Supersedes by drawing no.
	53.774	A2
May not be copied or used unless authorized by DENKA LIFT A/S		
<b>DENKA LIFT</b> Holtenåsg. 5, DK-4200 Hørbæk - Phone +45 59455500 Fax +45 59442155		
Approved by		
DLX15		
Drawn by		
PBM DT-Jan-05		
Drawing no.		
DLX15 Ausleger-Cylinder		
Total sheets		
2		
Sheet		
1		
DLX15 Boom-cylinder		
DLX15 Ausleger-Cylinder		
03245366		

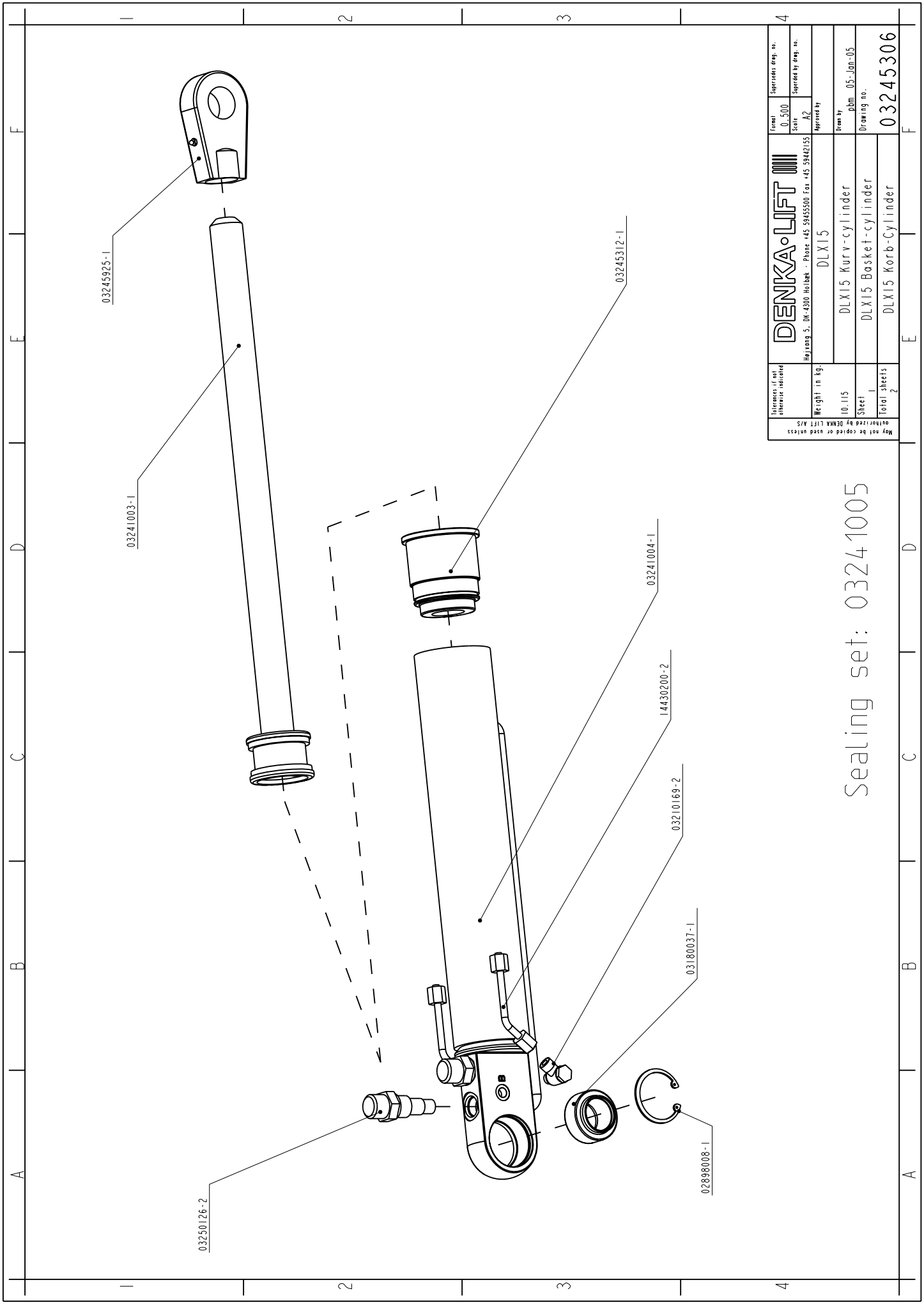


0.100



Sealing set: 03241002

Dimensions (if not otherwise indicated)	DENKA LIFT		Formel	Supersedes drawing no.
Weight in kg:	DLX15		0-500	
	DLX15 JIB-cylinder		Scale	Supersedes by drawing no.
	DLX15 JIB-cylinder		A2	
	DLX15 JIB-cylinder		Approved by	
	DLX15 JIB-cylinder		Drawn by	
	DLX15 JIB-cylinder		pbm_05-Jan-05	
	DLX15 JIB-cylinder		Drawing no.	
	DLX15 JIB-cylinder			03245167
May not be copied or used unless authorized by DENKA LIFT A/S	Total sheets			
	1			
	2			



Dimensions (if not otherwise indicated)			Formel 0-500	Supersedes drawing no.
	Maßstab 5, DM-4300-Hebeteil - Phone +45 59455500 Fax +45 59442155		Skala A2	Supersedes by drawing no.
Weight in kg:	DLX15		Approved by	
0.115	DLX15 Kurv-cylinder		Drawn by pbm_05-Jan-05	
Sheet 1	DLX15 Basket-cylinder		Drawing no.	
Total sheets 2	DLX15 Korb-Cylinder		03245306	

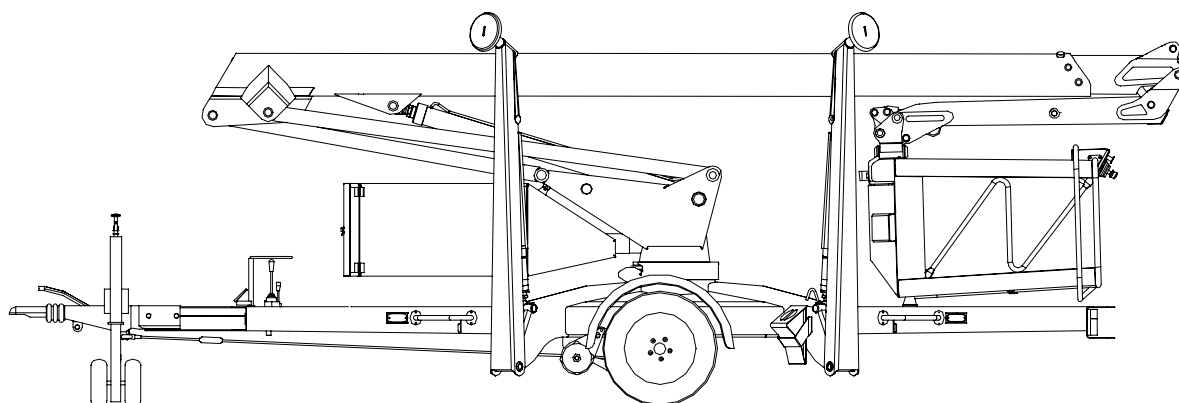
Sealing set: 03241005

May not be copied or used unless authorized by DENKA LIFT A/S

**RESERVEDELS-  
KATALOG**

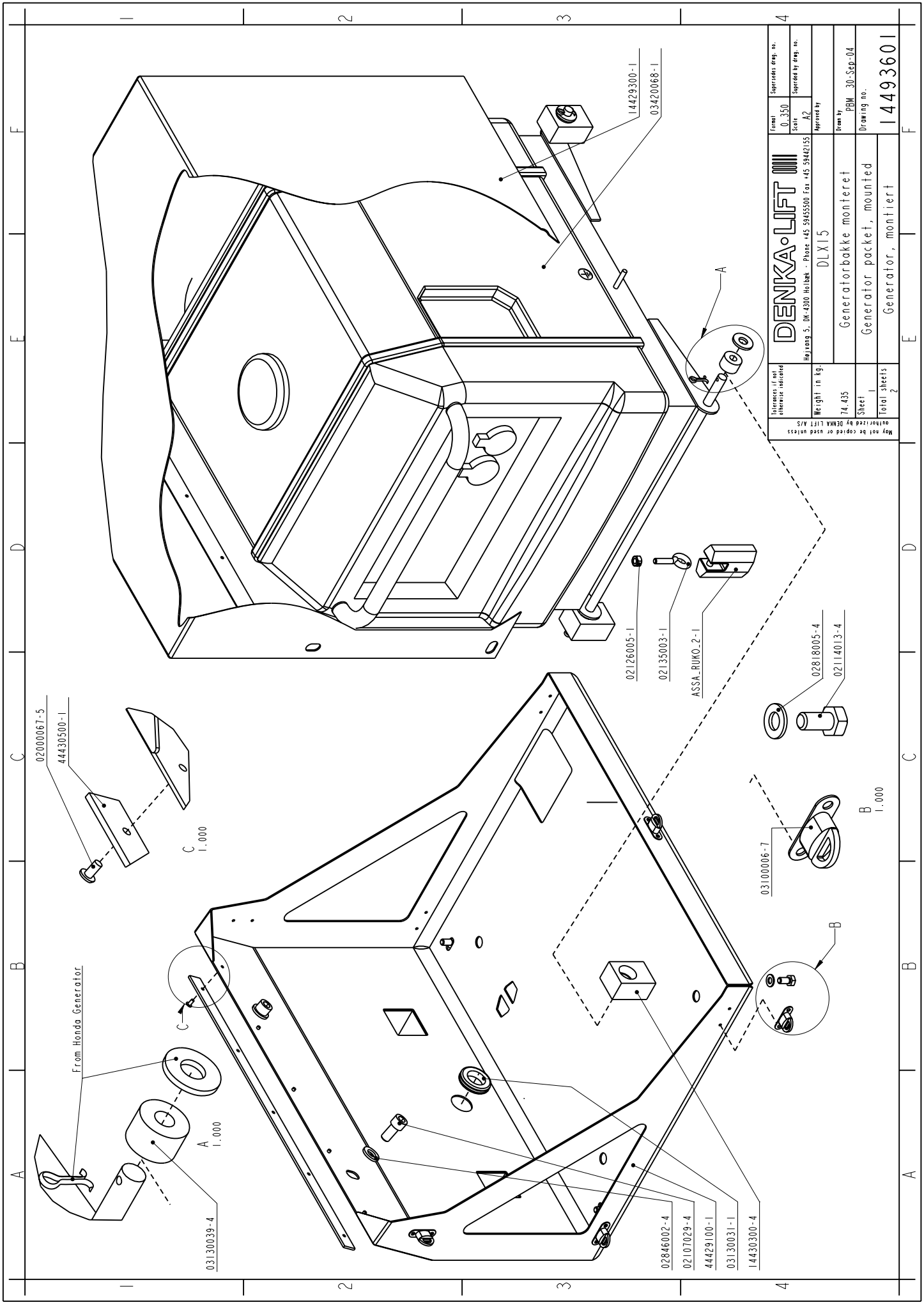
**SPARE PARTS  
CATALOGUE**

**ERSATZTEILS-  
KATALOG**



**EXTRA**

Version – 12.2004



Differences if not otherwise indicated	Formel	Supersedes drawing no.
	0.350	
Weight in kg	Scale	Supersedes by drawing no.
	74.435	A2
Total sheets	Approved by	
	1	DLX15
Sheet	Drawn by	
	2	PBM_30-Sep-04
Generator packet, mounted		
Generator, montiert		
Drawing no. 14493601		

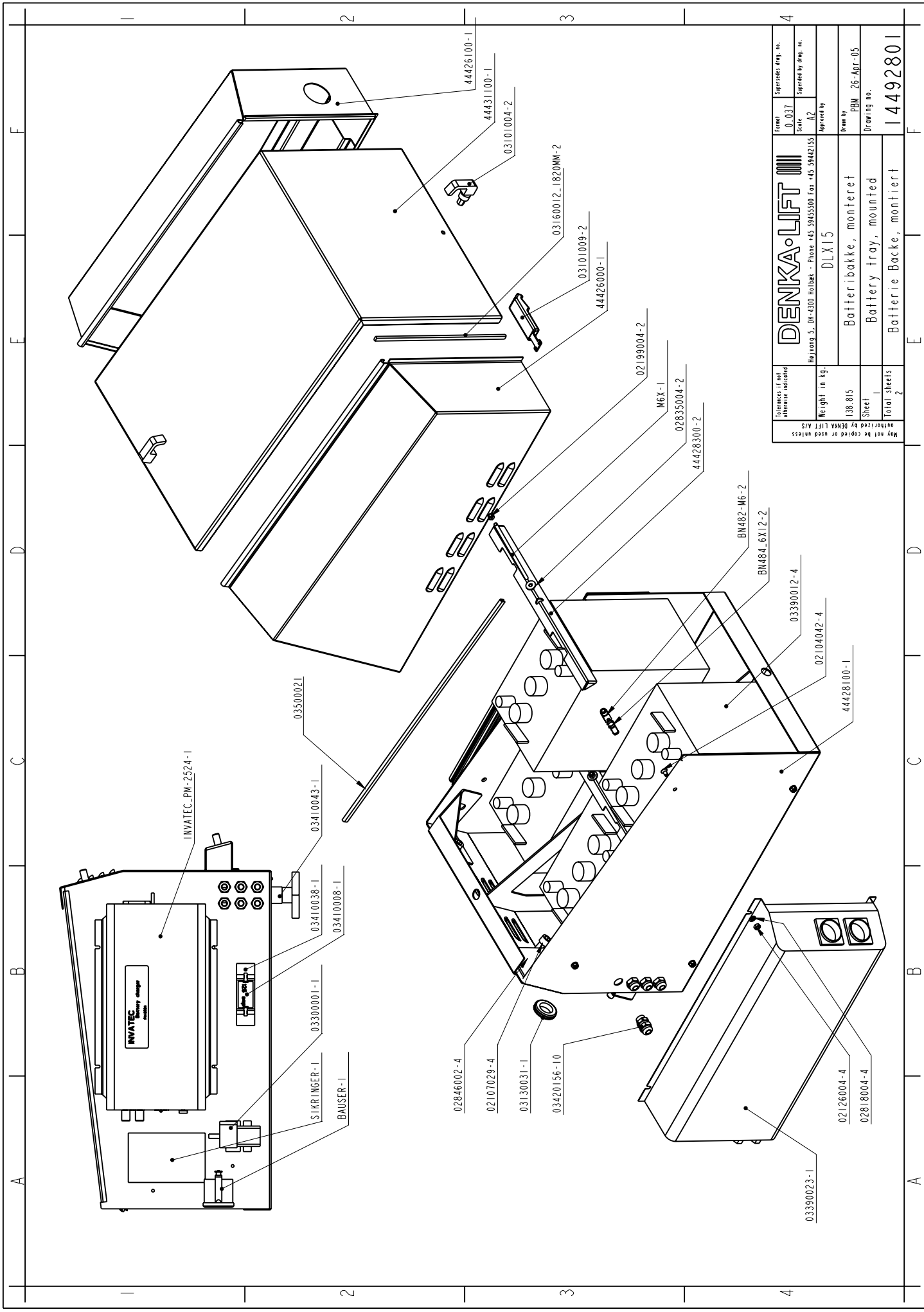
**DENKA-LIFT**

Mojiramp 5, DK-4200 Haslev - Phone +45 59455500 Fax +45 59442155

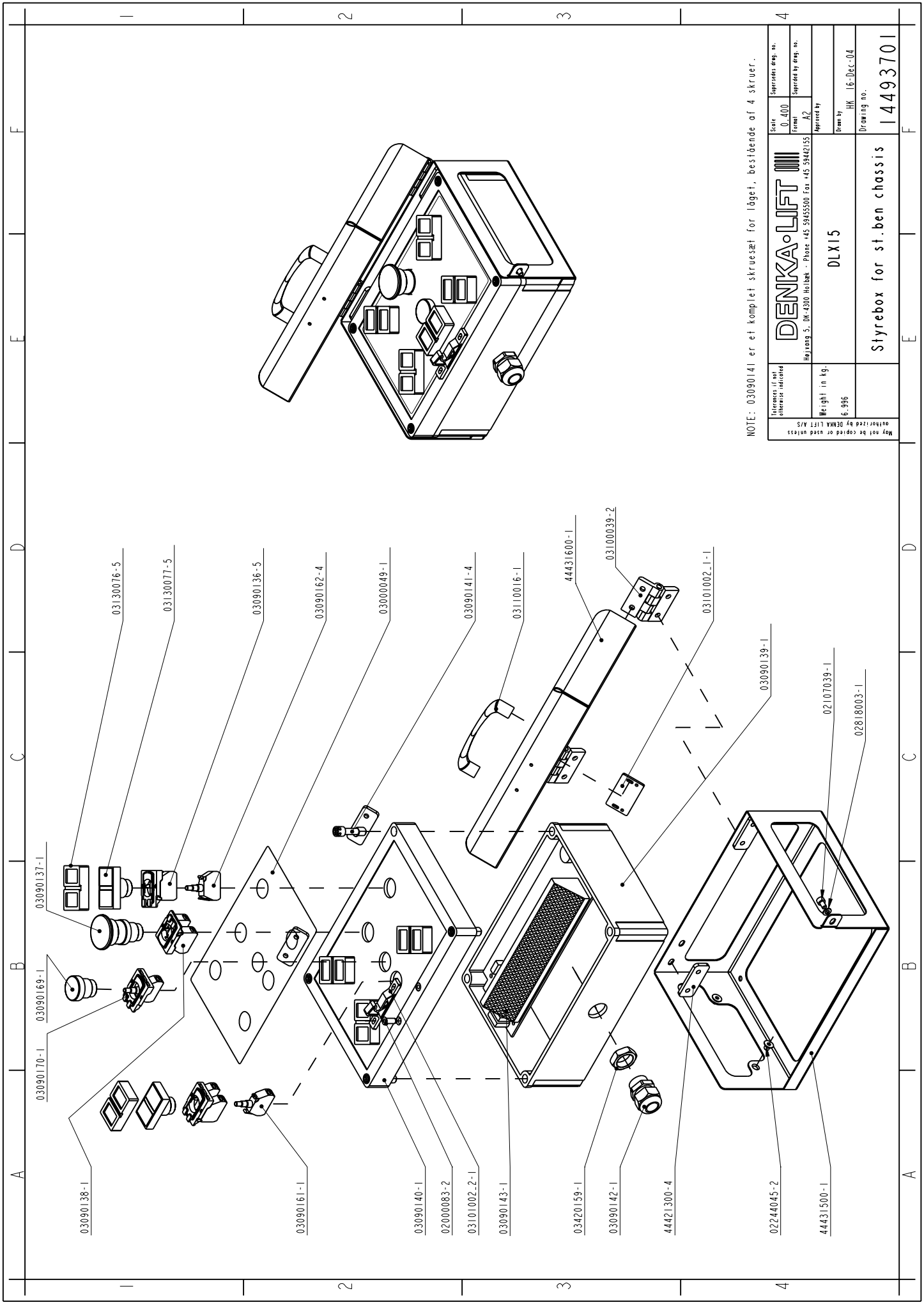
Authorized by DENKA LIFT A/S

May not be copied or used unless





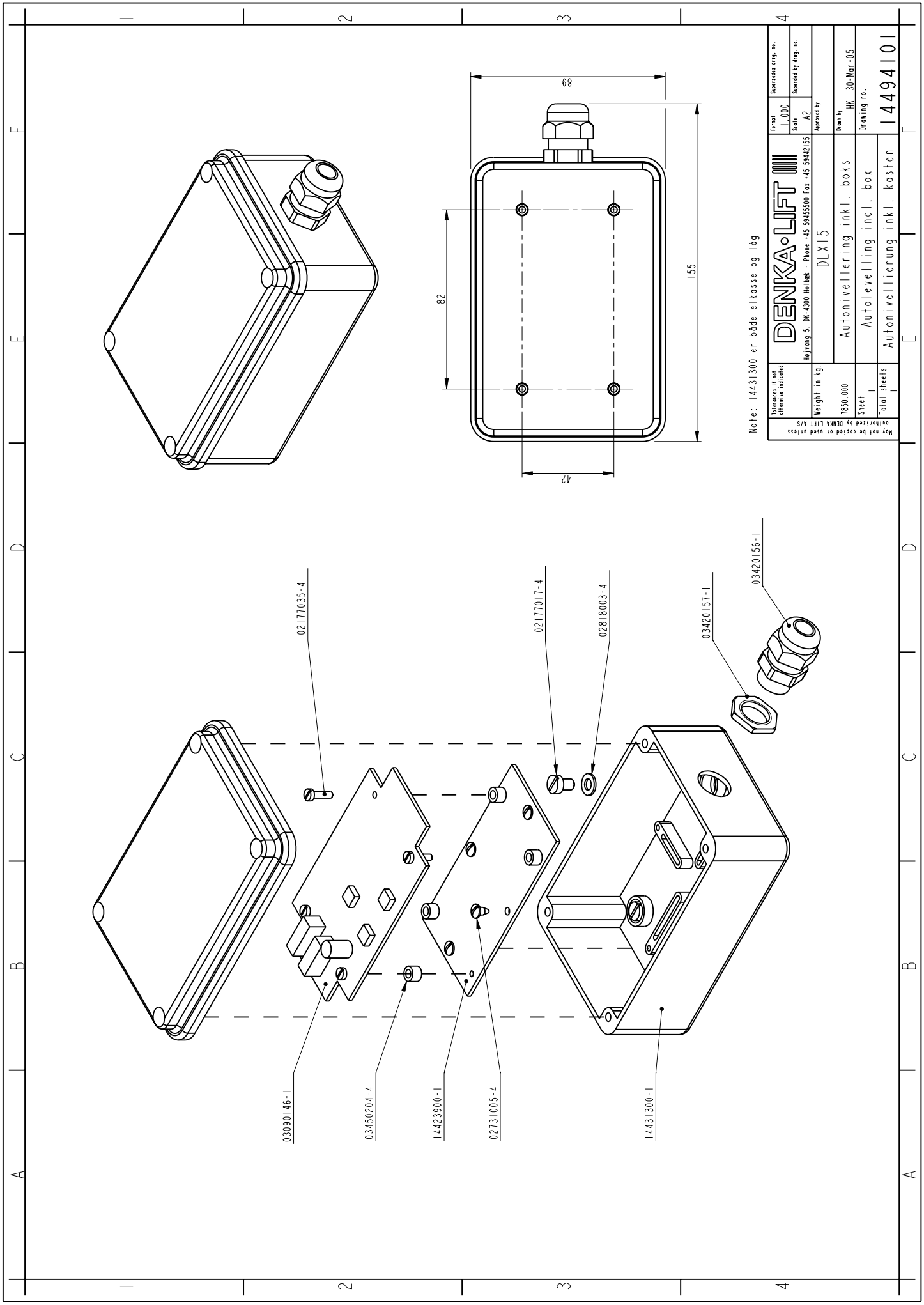
Dimensions if not otherwise indicated	Weight in kg		
Authorized by DENKA LIFT A/S	38.815	DENKA-LIFT Højvang 5, DK-4200 Høsbæk - Phone +45 59455500 Fax +45 59442155	
Sheet 1	Sheet 2	Approved by DLX15	
Total sheets 2	Sheet 1	Drawn by PBM 26-Apr-05	
	Sheet 2	Drawing no. 14492801	
May not be copied or used unless authorized by DENKA LIFT A/S		Supersedes drawing no. 0.037	
		Supersedes by drawing no. A2	



NOTE: 03090141 er et komplet skruesæt for låget, bestående af 4 skruer.

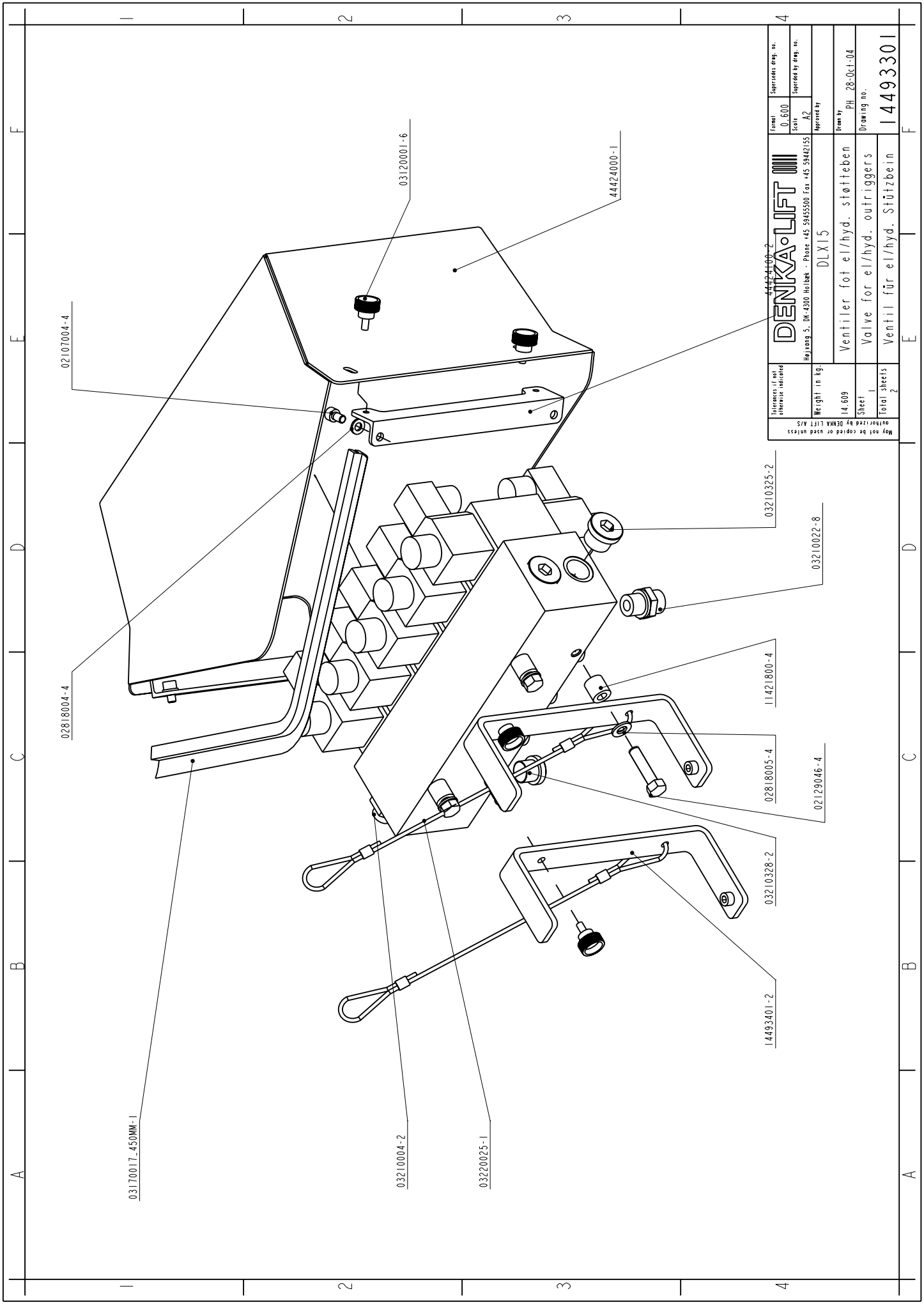
Intensities if not otherwise indicated	Scale 0-400	Supersedes drawing no.	4
Weight in kg 6,996	Formel A2	Supersedes by drawing no.	
		Approved by	
Højrup 5, DK-4300 Hørbæk - Phone: +45 59455500 Fax: +45 59442155		Drawn by	HK 16-Dec-04
DLX15		Drawing no.	14493701
Styrebox for st.ben chassis			

May not be copied or used unless authorized by DENKA LIFT A/S



Note: 14431300 er både elkasse og låg

Dimensions if not otherwise indicated	Formel 1.000	Supersedes drawing no.
Weight in kg. 7850.000	Scale A2	Superseded by drawing no.
Sheet 1	Approved by	
Total sheets	DLX15	
Authorized by DENKA LIFT A/S	DENKA-LIFT	
	Møllegaard 5, DK-4200 Høvdskov - Phone +45 59465500 Fax +45 59462155	
	Autonivellerling inkl. boks	
	Autonivellerling incl. box	
	Autonivellerling inkl. kassen	
	Drawn by HK	30-Mar-05
	Drawing no. 14494101	



02107004-4

02818004-4

03170017\_450MM-1

03210004-2

03220025-1

03120001-6

44424000-1

14493401-2

03210328-2

02818005-4

11421800-4

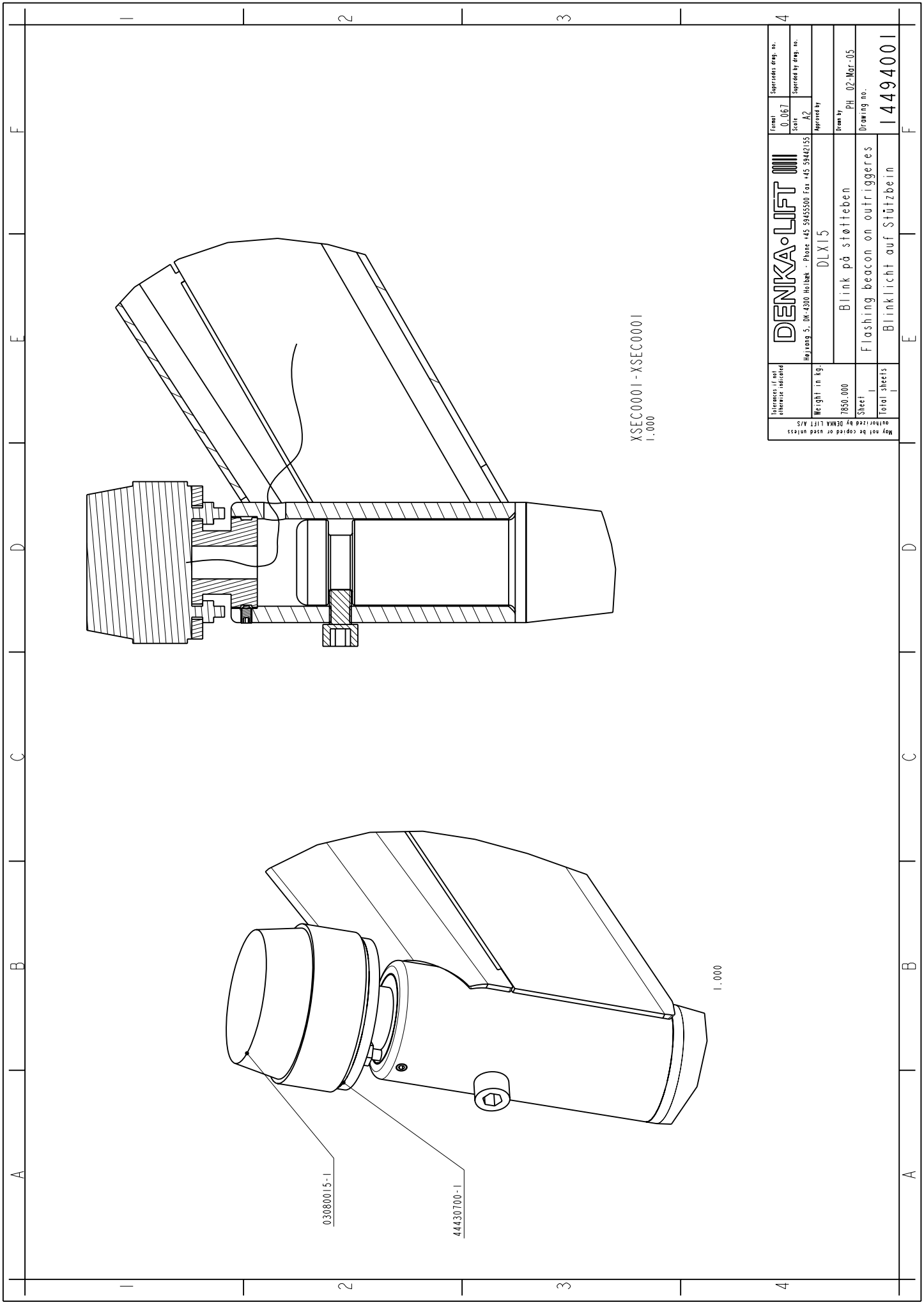
03210325-2

02129046-4

03210022-8

Tolerances if not otherwise indicated	Formel	Supersedes drawing no.
	0.600	44424000-2
Weight in kg.	Scale	Superseded by drawing no.
	14.609	A2
Approved by		
DLX15		
DENKA-LIFT		
Mojirap 5, DK-4300 Hørbæk - Phone +45 59455500 Fax +45 59442155		
Ventiler for el/hyd. støttestøben		
Valve for el/hyd. outriggers		
Ventil für el/hyd. Stützbein		
Drawing no. PH_28-01-04		
Total sheets 2		
Drawing no. 14493301		

May not be copied or used unless authorized by DENKA LIFT A/S



XSEC0001 - XSEC0001  
1.000

1.000

03080015-1

44430700-1

Dimensions (if not otherwise indicated)	Formel 0.067	Supersedes drawing no.
Weight in kg 7850.000	Scale A2	Supersedes by drawing no.
Sheet 1	Approved by DLX15	
Total sheets 1	Drawn by PH_02-Mar-05	
May not be copied or used unless authorized by DENKA LIFT A/S DENKA-LIFT Højrang 5, DK-4300 Hørbæk - Phone +45 59455500 Fax +45 59442155 Blink på støtteeben Flashing beacon on outriggeres Blinklicht auf Stützbein		Drawing no. 14494001